

Patents, Designs, and Trade Marks

SUPPLEMENT

NEW ZEALAND GAZETTE

TO THE

OF

THURSDAY, SEPTEMBER 9, 1909.

Published by Authority.

WELLINGTON, THURSDAY, SEPTEMBER 9, 1909.

CONTENTS.

	Page
Complete Specifications and Drawings open to Inspection	2329
International and Intercolonial Arrangements for the Mutual Protection of Patents and Trade Marks ..	2330
Patent Publications in New Zealand	2330
Books and Documents open to Inspection at Patent Office, Wellington	2330
Books, Documents, &c., open to Inspection at Local Patent Offices, Auckland, Christchurch, and Dunedin Office for Registration of Copyright	2331
Specifications of Inventions open to Inspection ..	2331
Official Publications	2331
Local Patent Offices	2331
Applications for Letters Patent filed	2331
Complete Specifications filed after Provisionals ..	2332
Complete Specifications accepted	2333
Provisional Specifications accepted	2337
Letters Patent sealed	2337
Letters Patent on which Fees have been paid ..	2338
Subsequent Proprietors of Letters Patent registered ..	2338
Notice of Request to amend Specification	2338
Request for Correction of Clerical Error in Application for Letters Patent	2338
Application for Letters Patent refused	2338
Applications for Letters Patent abandoned	2339
Application for Letters Patent void	2339
Applications for Letters Patent lapsed	2339
Letters Patent void	2339
Design expired	2339
Subsequent Proprietors of Design registered	2339
Applications for Trade Marks filed	2339
Applications for Registration of Trade Marks ..	2340
Trade Marks registered	2346
Subsequent Proprietors of Trade Marks registered ..	2346
Trade Mark Renewal Fees paid	2346
Trade Marks removed from the Register	2346
Cancellation of Part Entry of Trade Mark on the Register	2346
Applications for Trade Marks abandoned or refused ..	2346

Complete Specifications and Drawings open to Inspection at Auckland, Dunedin, and Christchurch.

COPIES of the complete specifications and drawings advertised in the *Gazette* will be sent for public inspection to the

LOCAL PATENT OFFICES
IN THE
SUPREME COURT BUILDINGS

in the following towns on or about the dates mentioned:—

Auckland.

Gazette No. 75, of the 9th September. 15th September to 29th September, inclusive.

Dunedin.

Gazette No. 75, of the 9th September. 5th October to 19th October, inclusive.

Gazette No. 71, of the 26th August. 21st September to 5th October, inclusive.

Gazette No. 66, of the 12th August. 7th September to 21st September, inclusive.

Christchurch.

Gazette No. 75, of the 9th September. 23rd October to 6th November, inclusive.

Gazette No. 71, of the 26th August. 9th October to 23rd October, inclusive.

Gazette No. 66, of the 12th August. 25th September to 9th October, inclusive.

Gazette No. 63, of the 29th July. 13th September to 27th September, inclusive.

[NOTE.—The office can take no responsibility if from any cause the specifications are not so available.]

International and Intercolonial Arrangements for the Mutual Protection of Patents and Trade Marks.

INTERNATIONAL CONVENTION.

THE following countries now belong to the Convention:—

Australia.	Italy.
Austria-Hungary.	Japan.
Belgium.	Mexico.
Brazil.	New Zealand.
Ceylon.	Norway.
Cuba.	Portugal, with the Azores and Madeira.
Denmark and Faroe Islands.	Servia.
Dominican Republic.	Spain.
France, with Algeria and Colonies.	Sweden.
Germany.	Switzerland.
Great Britain.	Tunis.
Holland, with East Indian Colonies, Curaçoa, and Surinam.*	United States of America.

* Trade marks only.

Separate arrangements have been made between Australia and New Zealand.

Particulars of the Convention and of such arrangements may be seen in the following *Gazettes*:—

Notification of adhesion of New Zealand to the Convention, with text thereof (in English), in the *Gazette* of 26th November, 1891; notification of adherence of New Zealand to the Additional Act of the Convention, with text (in English), of such Additional Act, in Patents Supplement to *Gazette* No. 101, of the 16th November, 1905; Order in Council applying section 103 of the Imperial Act to New Zealand, in *Gazette* No. 27, of the 15th May, 1890; Orders in Council containing arrangements between Australia and New Zealand, in Patent Supplements to the *Gazette* Nos. 22 of the 9th March, 1905, and 38 of the 20th April, 1905.

Patent Publications in New Zealand.

THE following publications relating to Patents for inventions, &c., are open to inspection in the Dominion:—

WELLINGTON.—PATENT OFFICE LIBRARY.

United Kingdom.

The full text of the specifications and complete drawings of inventions patented from the year 1617 up to the 10th June, 1909.

Classified illustrated abridgments of inventions from 1855 to 1906 and part of 1907.

Illustrated Official Journal, containing lists of recent applications, abridgments of inventions for which patents have been lately granted, patents void, &c., to July, 1909.

Index of Applicants.

Subject-matter Index.

Commissioner of Patents Journal, &c. (*).

Trade Marks Journal to May, 1909.

Canada.

Patent Office Record (containing illustrated abridgments of inventions, &c.) to April, 1909.

Australia.

The full text of the specifications and complete drawings in respect of applications accepted from the 11th January, 1906, to the 27th April, 1909, inclusive.

The Official Journal of Patents of the Australian Commonwealth (containing lists of applications for letters patent, abridgments of complete specifications accepted, &c.).

The Australian Official Journal of Trade Marks (containing lists of applications for registration of trade marks, &c.).

Specifications, drawings, abridgments, and indexes of Victoria, New South Wales, Queensland, and South Australia^(b).

United States.

The full text of the specifications and drawings for the years 1905 and 1906.

The Official Gazette of the United States Patent Office (containing illustrated abridgments of specifications, &c.) to July, 1909.

Mexico.

The Official Gazette of the Patent and Trade Mark Office.

(*) Discontinued.

(b) In arrear. Not now being printed.

General.

La Propriété Industrielle (the official organ of the International Bureau of the Union for the Protection of Industrial Property).

Patent laws of the world.

Patent and Trade Mark Review.

Text-books and handbooks on patents and trade marks.

AUCKLAND.—PUBLIC LIBRARY

United Kingdom.

Classified abridgments of inventions from 1855 to 1904.
Illustrated Official Journal from 1897 to date.

Canada.

Patent Office Record (containing illustrated abridgments of inventions, &c.) from 1897 to date.

Australia.

The Official Journal of Patents from 1905 to date.

United States.

The Official Gazette of the United States Patent Office (containing illustrated abridgments of specifications, &c.) from 1885 to 1887 and 1890 to 1895.

CHRISTCHURCH.—PUBLIC LIBRARY.

United Kingdom.

Classified abridgments of inventions from 1855 to 1904.
Illustrated Official Journal from October, 1905, to date.

Canada.

Patent Office Record (containing illustrated abridgments of inventions, &c.) from 1897 to date.

Australia.

The Official Journal of Patents from 1905 to date.

DUNEDIN.—PUBLIC LIBRARY.

United Kingdom.

Classified abridgments of inventions from 1855 to 1904.
Illustrated Official Journal from October, 1905, to date.

Australia.

The Official Journal of Patents from 1905 to date.

Books and Documents open to Inspection at Patent Office, Wellington.

THE following documents and books are open to public inspection at the Patent Office:—

PATENTS.

(Fee for each search or inspection, not exceeding one hour, 1s.)

1. The files relating to all applications for letters patent in respect of which complete specifications have been accepted.
2. Classified copies of specifications and drawings, with index and key^(a).
3. Register of Applications for Letters Patent.
4. Register of Patents.
5. Register of Subsequent Proprietors of Letters Patent^(b).
6. Index of Patentees^(c).
7. Index of Proprietors of Letters Patent granted prior to 1890^(d).
8. Index of Specifications^(e).

DESIGNS.

(Search fee, 1s. each quarter of an hour.)

1. Register of Designs, with Index of Names of Proprietors.
2. Classified Representations of Designs in respect of which Copyright has expired.
3. Index of Designs.

(a) Key is in card index.

(b) This Register contains only names of subsequent proprietors of letters patent granted prior to 1st January, 1890; since that date they appear in Register of Patents.

(c) Includes all names of applicants, &c., and consists of four volumes to 4th November, 1903, and card index since that date. A separate card index is kept for current quarter.

(d) The names of proprietors of subsequent letters patent appear in the Index of Patentees.

(e) Contains classified abridgments of specifications from 1861, with extracts from drawings from July, 1904.

TRADE MARKS.

(Search fee, 1s. each quarter of an hour.)

1. The files relating to all applications for registration of trade marks.
2. Register of Applications for Registration of Trade Marks.
3. Register of Trade Marks.
4. Index of Applicants for Registration of Trade Marks^(a).
5. Index of Trade Marks.
6. Classified Representations of Trade Marks, with indexes.

MISCELLANEOUS.

Register of Patent Agents.

FORMS AND PUBLICATIONS.

The following forms, &c., may be had on application at the Patent Office, Wellington, or at any of the local Patent Offices named below:—

- Application for letters patent.
- Provisional specification.
- Complete specification and copy thereof.
- Application for registration of design.
- Application for registration of trade mark.
- Applications for extension of time.
- Requests by subsequent proprietor to enter name on Register of Patents and Trade Marks.
- Printed sheets of information as to fees and procedure to obtain letters patent and to register a trade mark^(b).
- Pamphlet containing Act and Regulations (price 1s.).

^(a) Names of applicants for registration and proprietors of trade marks are indexed at the beginning of the Registers up to 31st December, 1889; in separate volume up to 5th September, 1904; and since the latter date in card index.

^(b) May also be obtained at any local Patent Office or money-order office.

Books, Documents, &c., open to Inspection at Local Patent Offices, Auckland, Christchurch, and Dunedin.

BOOKS, documents, &c., open to inspection, and forms, &c., procurable, at the local Patent Offices at Auckland, Christchurch, and Dunedin.

BOOKS, ETC., OPEN TO INSPECTION.

Complete specifications and drawings of inventions. (Note.—One set of the specifications and drawings is sent, on acceptance, to Auckland, Christchurch, and Dunedin in succession, remaining fourteen days at each place, as advertised in the *Gazette*. Search fee, 1s. per hour.)

Classified abridgments of inventions from 1st January, 1908, to 31st March, 1909. (Search fee, 1s.)

Weekly lists of applications for patents up to and including those filed on Friday may be seen on the following Monday. (Search fee, 1s.)

Name Index—Patents, 1861–1889. (Search fee, 1s.)
Annual Reports, containing alphabetical lists of applicants and subject-matter indexes since 1890.

Patents Supplement to the *New Zealand Gazette*.
Patents, Designs, and Trade Marks Act and Rules.
Acts and Rules of other countries.
Australian Official Journal of Patents.

FORMS, ETC., OBTAINABLE.

The following forms, &c., may be obtained on application:—

- Applications for letters patent.
- Provisional specification.
- Complete specification, and copy thereof.
- Application for registration of design.
- Application for registration of trade mark.
- Applications for extension of time.
- Requests by subsequent proprietor to enter name on Register of Patents and Trade Marks.
- Printed sheets of information as to fees and procedure to obtain letters patent and to register designs and trade marks.
- Act and Regulations. (Price, 1s. 6d.)

NOTE.—The classified abridgments of the specifications and drawings of the United Kingdom may be seen in the Public Library of each of the above three principal towns. Other publications will be placed on file as soon as they are available.

Office for Registration of Copyright.

THE office for the registration of proprietorship of copyright in Fine Arts and Dramatic Works has been transferred to the Patent Office, Magistrate's Court Building, corner of Lambton Quay and Ballance Street, Wellington.

Specifications of Inventions Open to Inspection.

COMPLETE specifications and drawings of inventions may be seen on acceptance at the Patent Office, Wellington, and are also available for inspection for a fortnight at the local Patent Offices at Auckland, Christchurch, and Dunedin.

Lists giving names of applicants and titles of inventions may be obtained for posting in factories, libraries, technical schools, or other places where they are likely to be seen by persons interested, on application to the Registrar of Patents, Wellington.

Official Publications.

THE following publications may be obtained from the Government Printer, Wellington:—

Printed specifications to the end of the year 1879. (Some of these are now out of print.)

Annual lists of letters patent and letters of registration applied for, and particulars of applications lapsed, and patents lapsed, from 1880 to 1893 inclusive. (The lists for the last four of these years are contained in the *Annual Reports of the Registrar*.)

Annual reports of the Registrar, containing alphabetical indexes of applicants for letters patent and of subject-matter of inventions patented from 1894 to 1907 inclusive.

The Patents Supplement to *Gazette* (containing notifications, applications for letters patent, abridged descriptions and drawings of inventions, &c.), published fortnightly.
Name Index of Patents, &c., 1861–1890. (Price, 1s.)

Local Patent Offices.

LOCAL Patent Offices for the reception of applications, supply of forms, &c., have been established at the following places:—

- Auckland—Supreme Court. (E. W. Cave, agent.)
- Whangarei—Courthouse. (W. J. Reeve, agent.)
- Thames—Courthouse. (J. Jordan, agent.)
- Waihi—Courthouse. (J. McIndoe, agent.)
- Hamilton—Courthouse. (H. J. Dixon, agent.)
- Gisborne—Courthouse. (G. J. A. Johnstone, agent.)
- New Plymouth—Courthouse. (J. Terry, agent.)
- Napier—Courthouse. (A. Trimble, agent.)
- Wanganui—Courthouse. (C. A. Barton, agent.)
- Taihape—Courthouse. (W. Baker, agent.)
- Palmerston North—Courthouse. (C. J. Hewlett, agent.)
- Masterton—Courthouse. (M. Foley, agent.)
- Nelson—Courthouse. (E. C. Kelling, agent.)
- Blenheim—Courthouse. (F. W. Hart, agent.)
- Westport—Courthouse. (O. E. Bowling, agent.)
- Greymouth—Courthouse. (B. Harper, agent.)
- Hokitika—Courthouse. (J. N. Nalder, agent.)
- Christchurch—Supreme Court. (W. W. Samson, agent.)
- Ashburton—Courthouse. (J. Fitzgerald, agent.)
- Timaru—Courthouse. (T. W. Tayler, agent.)
- Oamaru—Courthouse. (A. A. Mair, agent.)
- Dunedin—Supreme Court. (T. E. Roberts, agent.)
- Clyde—Courthouse. (F. T. D. Jeffery, agent.)
- Gore—Courthouse. (G. H. Lang, agent.)
- Queenstown—Courthouse. (A. J. Thompson, agent.)
- Invercargill—Courthouse. (J. R. Colyer, agent.)

Applications for Letters Patent filed.

LIST of applications for Letters Patent filed. (Where a complete specification accompanies an application an asterisk is affixed; in all other cases a provisional specification has been lodged. In all cases where the applicant is not the inventor the name of the latter appears in italics after the title. † Denotes an application under the International and Intercolonial Arrangements.)

- No. 26457.—19th August.—L. M. Phillips, A. Nicholson, and D. McKenzie, Auckland, N.Z.
Corset.
- No. 26458.—20th August.—E. J. Cnilton, Kuripuni, N.Z.
Closet flush.
- No. 26459.—19th August.—P. J. de la Haye, New Plymouth, N.Z.
Safety brooch-pin.
- No. 26460.—21st August.—A. B. Pownall, Wellington, N.Z.
Bottle-spout.
- No. 26461.—23rd August.—F. de J. Clere, Wellington, N.Z.
Window.*

- No. 26462.—23rd August.—J. Leonard, Wellington, N.Z.
Hook.
- No. 26463.—20th August.—W. Woods, Burwood, N.S.W.
Treating calcium-carbide.
- No. 26464.—24th August.—Anne of Lowenstein Wertheim,
London, Eng.
Self-levelling bunk, &c.*
- No. 26465.—24th August.—W. Christian, Sydney, N.S.W.
Anti-corrosive anti-fouling compound.*
- No. 26466.—21st January.†—A. J. L. Lassen, Copenhagen,
Denmark.
Bottle-stoppering machine.*
- No. 26467.—21st August.—G. S. Thomson, Timaru, N.Z.,
and G. P. Dyer, Dunedin, N.Z.
Acetylene-gas-generator valve mechanism.*
- No. 26468.—24th August.—C. A. Gee, London, Eng.
Advertising-apparatus.*
- No. 26469.—23rd August.—J. Treloar and L. Hodgkinson,
Hamilton, N.Z.
Washing-machine.
- No. 26470.—25th August.—A. Pullar, Owaka, N.Z.
Tooth-brush.
- No. 26471.—25th August.—G. W. Davies, Wellington, N.Z.
Incandescing gas-mantle.
- No. 26472.—25th August.—F. J. S. Caverhill, Christchurch,
N.Z.
Sheep-shearing-machine driving-gear.
- No. 26473.—26th August.—G. V. Davis, Essendon N., Vic.
Tent.
- No. 26474.—25th August.—J. S. Wearn, Christchurch, N.Z.
Churn-tap.
- No. 26475.—24th August.—G. Walker, Tuakau, N.Z.
Flax-machine.*
- No. 26476.—26th August.—M. J. Gartlan, Broken Hill,
N.S.W.
Cycle.
- No. 26477.—25th March.†—G. W. Berry, Moonee Ponds,
Vic.
Closet.*
- No. 26478.—16th January.†—T. J. McBride, Christchurch,
N.Z.
Tire.*
- No. 26479.—26th August.—T. J. McBride, Christchurch,
N.Z.
Tire and rim casement.*
- No. 26480.—26th August.—T. J. McBride, Christchurch,
N.Z.
Tire.*
- No. 26481.—26th August.—K. I. Lindstrom, Nykvarn,
Sweden.
Milking-machine.*
- No. 26482.—26th August.—A. Simonson and O. R. Petersen,
Masterton, N.Z.
Paper-file.
- No. 26483.—26th August.—W. B. Topp, Birkenhead, N.Z.
O.G. spouting.
- No. 26484.—26th August.—S. Westbrook, Wanganui, N.Z.
Sponge and brush.
- No. 26485.—26th August.—C. Craig, Christchurch, N.Z.
Safe.
- No. 26486.—26th August.—A. L. Jones, Kaihu, N.Z.
Safety-lamp.
- No. 26487.—24th August.—A. M. Grainger, Dunedin, N.Z.
Decoying birds.
- No. 26488.—24th August.—W. S. Bayston, Melbourne, Vic.
Neutralising noxious fumes produced by
blasting. (*W. Burgess.*)
- No. 26489.—24th August.—T. Hamilton, Winton, N.Z.
Riddle.
- No. 26490.—25th September, 1908.†—N. S. McNab, Caul-
field, Vic., and J. S. Link, Melbourne,
Vic.
Gas-lamp lighter and extinguisher.*
- No. 26491.—27th August.—J. Green, Tokomaru Bay, N.Z.
Fencing-batten.
- No. 26492.—25th August.—F. H. Bridger, Dunedin, N.Z.
Apparatus for automatically maintaining
pressure. (*T. E. Bridger.*)
- No. 26493.—27th August.—A. W. Parton, Wellington, N.Z.
Ladder-bracket.*
- No. 26494.—27th August.—A. Schultze, Cobden, N.Z.
Lock.
- No. 26495.—27th August.—A. Jones, Christchurch, N.Z.
Step-ladder.
- No. 26496.—28th August.—J. B. Blaine, S. R. East, Wel-
lington, N.Z., and J. G. Stevens, Otaki,
N.Z.
Locating sunken vessels.
- No. 26497.—27th August.—A. Edmond, Dunedin, N.Z.
Dress, &c., stiffener.*
- No. 26498.—27th August.—W. F. Hardley and C. E. Hard-
ley, Auckland, N.Z.
Ventilator and skylight.
- No. 26499.—26th August.—A. B. Carter and W. C. Washer,
Dunedin, N.Z.
Table.
- No. 26500.—26th August.—L. Smyth, Dunedin, N.Z.
Wash boiler and sink.
- No. 26501.—30th August.—A. W. Schaef, Wellington, N.Z.
Aeroplane.
- No. 26502.—28th August.—E. Le Roy, Auckland, N.Z.
Horse-cover.
- No. 26503.—31st August.—F. M. Hammond, Marton, N.Z.
Wire-fencing staple.
- No. 26504.—31st August.—J. H. Shekleton, Perth, W.A.
Briquette-manufacture.*
- No. 26505.—26th August.—J. Robb, Gisborne, N.Z.
Glazier's diamond.
- No. 26506.—1st September.—F. C. Lynde, Withington, Eng.,
and C. V. Haworth, Poulton-le-Fyde,
Eng.
Gas-production.*
- No. 26507.—4th September, 1908.†—W. J. Price and D. I.
Bridge, Narrabri, N.S.W.
Railway-coupling.*
- No. 26508.—1st September.—J. P. H. Lund, Rockhampton,
Q.
Steering and controlling device.*
- No. 26509.—1st September.—W. Maddison, Wellington,
N.Z.
Mattress-holder.*
- No. 26510.—1st September.—F. A. and A. P. Fischer,
Napier, N.Z.
Franking-machine.
- No. 26511.—2nd September.—F. W. Ockerby, Launceston,
Tas.
Stripping-appliance for grass-seed, &c.
- No. 26512.—2nd September.—W. A. Benn and E. S. Stokes,
Sydney, N.S.W.
Fish-preserving process.
- No. 26513.—2nd September.—W. J. Phillips, Melbourne,
Vic.
Cooking-utensil.* (*J. Condy.*)
- No. 26514.—2nd September.—C. M. Officer, Melbourne, Vic.
Carburetter.
- No. 26515.—2nd September.—T. Chadwick, Sydney, N.S.W.
Amalgamator.
- No. 26516.—2nd September.—O. R. Youngusband, Welling-
ton, N.Z.
Substitute for wood.
- No. 26517.—2nd September.—E. S. Harris, Karori, N.Z.
Rocking-chair.
- No. 26518.—30th August.—W. Keymer, F. Parsons, and
G. H. Clymo, Auckland, N.Z.
Plate, &c., warmer.
- No. 26519.—3rd September.—F. S. Cooze, Wellington, N.Z.
Attachment to locks.

Complete Specifications filed after Provisionals.

LIST of complete specifications filed after provisional specifications, from the 20th August to the 3rd September, 1909, inclusive:—

- No. 25184.—C. E. Hodge and S. P. Andersen, milking-machine teat-cup.
- No. 25276.—D. M. Brooks, tide-operated air-compressor.
- No. 25298.—T. F. Long, thistle-exterminator.
- No. 25305.—United Shoe Machinery Company, leather-skiving machine. (*A. E. Jerram, A. Bates, and J. Gould-bourn.*)
- No. 25315.—United Shoe Machinery Company, boot-machine positioning-apparatus. (*A. Bates.*)
- No. 25316.—United Shoe Machinery Company, boot-machine jack. (*C. S. Wells.*)
- No. 25317.—United Shoe Machinery Company, boot-sole machine. (*F. E. Bertrand.*)
- No. 25318.—United Shoe Machinery Company, heel-finishing machine. (*A. Bates.*)
- No. 25332.—H. L. Mainland, spring jaw trap attachment.
- No. 25395.—W. Seifert, flax, &c., treatment.
- No. 25411.—V. R. Blair, acetylene-generator.
- No. 25505.—E. Brandon, laundry-iron heater.
- No. 25657.—S. J. G. Douglas and W. J. Shepherd, removing cavings from threshing-machines.
- No. 26028.—D. H. Edgar, saddle cloth, cover, &c.
- No. 26201.—P. J. Griffin, tea-can.

Notice of Acceptance of Complete Specifications.

Patent Office,
Wellington, 8th September, 1909.

COMPLETE specifications relating to the undermentioned applications for Letters Patent have been accepted, and are open to public inspection at this office. Any person may, at any time within two months from the date of this *Gazette*, give me notice in writing of opposition to the grant of any such patent. Such notice must set forth the particular grounds of objection, and be in duplicate. A fee of 10s. is payable thereon.

No. 24443.—22nd May, 1907.—WILLIAM JAMES ROBERTSON, of Grey Lynn, Auckland, New Zealand. Improvements in brush-making machinery.*

Extract from Specification.—The means devised have been designed specially for use in conjunction with that class of bunching-apparatus in which two members are brought together upon opposite sides of the layer, each of which members is provided with teeth projecting from it and divided from each other by transverse semicircular depressions. These teeth, when the members are brought together, engage with each other so that the semicircular depressions upon the one member coincide with those on the other, and thereby form circular moulds into which the fibre is caused to enter and then to be pressed into bunches by the pressure thereof.

[NOTE.—The above extract from the specification is inserted in place of the claims.]

(Specification, 10s. 6d. ; drawing, 2s.)

No. 24813.—17th August, 1908.—GEORGE HARRINGTON MAC EWAN, of Lower High Street, Dunedin, New Zealand, Exporter (nominee of Robert William D'Arcy Robertson, of New Plymouth, New Zealand, Manager). Improvements in or relating to driving-mechanism for milk and curd-agitating apparatus and the like.*

Claims.—(1.) Friction-gearing for operating milk, cream, and curd agitating apparatus, characterized by the spindle geared to the agitator-blades having a bevelled disc mounted on its end capable of lateral movement and normally thrust outwards by a spring, said disc being driven by a coned pulley feathered on the main shaft and adapted to be moved towards or away from the centre of the disc so as to vary the speed of or stop the agitator as desired, substantially as described. (2.) The general construction, arrangement, and combination of parts comprising the friction-gearing for operating milk, cream, and curd agitators, substantially as and for the purposes set forth.

(Specification, 5s. ; drawing, 1s.)

No. 24841.—26th August, 1908.—DAVID RICHARDSON, of 21 Whitehall Street, Footscray, Victoria, Australia, Engineer, and ROBERT GILLESPIE, of 4 Vaucluse, Richmond, near Melbourne, Victoria aforesaid, Printer. An improved method of determining the amount of moisture in wool, flax, hemp, or other material, and apparatus therefor.

Extract from Specification.—According to this invention, a chemical substance in a finely divided condition which will, when intimately mixed with the wool or other material to be tested, also in a finely divided or comminuted condition, combine with the water moisture contained therein and, either immediately or on the addition of another chemical, give off a gas the volume of which may be measured and the amount of water taken up or freed thereby determined.

[NOTE.—The above extract from the specification is inserted in place of the claims.]

(Specification, 8s. 6d. ; drawing, 2s.)

No. 24883.—4th September, 1908.—THOMAS WELLINGTON RALEY, of Wellington, New Zealand, Mining Speculator. A magnetic separator applicable to the treatment of ores, placer gravels, and sands.*

Claims.—(1.) In magnetic separators, in combination, a feeding-table, an electro-magnet arranged above the delivery end of such table, a travelling-band travelling across the front of the magnet, and a vibrator working between the feeding-table and the travelling-band, substantially as specified. (2.) A magnetic separator constructed and operating substantially as described and explained, and as illustrated in Figs. 1 and 2 of the drawings. (3.) A magnetic separator constructed and operating substantially as described and explained, and as illustrated in Figs. 3 and 4 of the drawings.

(Specification, 4s. 3d. ; drawing, 1s.)

No. 24910.—9th September, 1908.—DANIEL TAYLOR, of Dunedin, New Zealand, Bookbinder. An improved binding-file.*

Claims.—(1.) In binding-files of the description illustrated and described, a cutter or cutters, a keeper or keepers having teeth fashioned thereon permitting movement in one direction only, and a loop formed on the said keeper or keepers. (2.) In binding-files of the description illustrated and described, a series of cutters secured to an outer cover or secured to a back piece attached thereto, a series of keepers secured to an outer cover or secured to a back piece attached thereto, a loop fashioned on the said keepers, all substantially as and for the purpose set forth. (3.) In binding-files of the description illustrated and described, a magazine for storing wires, a series of cutters and a series of keepers secured to the said magazine, loops fashioned on the said keepers, all substantially as and for the purpose set forth. (4.) The combination and arrangement of parts comprising my improved binding-file, substantially as and for the purpose set forth, and as described with reference to the drawings.

(Specification, 5s. 6d. ; drawing, 2s.)

No. 25011.—1st October, 1908.—WILLIAM THWAITES, of Asher's Siding, Seaward Bush, New Zealand. Improved lock for railway points, stop-blocks, safety-blocks, and the like.*

Extract from Specification.—According to my invention the locking-device comprises two or more spring tongues or springs with a catch at or near the ends, which catches, when forced into position, engage a pin or other device so that they cannot be released until the tongues are forced apart by a suitable key to enable the catches to be drawn away from the pin.

[NOTE.—The above extract from the specification is inserted in place of the claims.]

(Specification, 5s. ; drawing, 1s.)

No. 25013.—1st October, 1908.—JOHN FREDERICK BAILEY, of Maitland Street, Dunedin, New Zealand, Agent. An improved electric developer.*

Claims.—(1.) In developers of the type stated, the combination with cells, conducting-cords and hand-grip devices, an induction-coil having no vibrating armature, commutator-pulleys having a metal ring and insulated segments, commutator-brushes engaging the said metal rings and segments, and circuit-breaking devices operated by the said cords, substantially as described with reference to the drawings. (2.) The combination and arrangement of parts comprising my improvements in electric developers, substantially as and for the purpose set forth, and as illustrated in the drawings.

(Specification, 7s. ; drawing, 2s.)

No. 25019.—6th October, 1908.—JOSEPH BRENNAN, of Belmont Road, Paeroa, Ohinemuri, New Zealand, Coach-builder and Blacksmith, trading as "Brennan and Co." Improvement in the construction of undercarriage of four-wheeled vehicles.*

Claim.—In the improvements in the construction of undercarriages for four-wheeled vehicles in use on roads, the same having in combination a framework of angle iron with centre-bar of angle iron attached thereto, said centre-bar having secured to it pole-clips and king-bolt socket, said angle-iron frame having gussets with lips bolted or riveted thereto, and in the square form of framework having wooden packing-pieces, iron wearing-plates and clips securing one end of springs, and in the triangular form of frame having a clip plate and bolt to secure cross-spring, the trace-bars of vehicle being formed of iron or steel piping and secured to the angle-iron framework by means of stays, for the purpose and in the manner as described and illustrated.

(Specification, 3s. ; drawing, 2s.)

No. 25045.—7th October, 1908.—GEORGE LARGIE BRIGGS and RICHARD FRANCIS BOLLARD, of Taupiri, Auckland, New Zealand, Saw-filer and Sawmiller respectively. An improved saw-fence.*

Claims.—(1.) In the improved saw-fence, the same consisting in combination of a frame with a cylinder or sleeve at one end, said cylinder or sleeve having a pinion or pinion-segment working therein and operating a sliding rod with ratchet or rack secured thereon or formed therefrom, said sliding rod having at one end a set collar, and at other end a

saw-gate with rollers, said pinion or pinion-segment being mounted on a shaft or spindle to which is attached a lever, pawl attachment, spring, and thickness stop, the other end of said frame being connected and secured to a notched segment by means of adjustment screws or studs fitted in elongated holes, for the purpose set forth as described and illustrated. (2.) The arrangement, combination, and application of the different parts specified for the purpose set forth as described and illustrated.

(Specification, 5s. ; drawing, 1s.)

No. 25066.—9th October, 1908.—JAMES GRAY, of Dunedin, New Zealand, Engineer. **Lubricator for wheels.***

Claims.—(1.) In a wheel of the kind described, a hub provided with an annular oil-chamber and passages leading therefrom to the axle, substantially as and for the purposes set forth. (2.) In a wheel of the kind described, a hub provided with an annular oil-chamber, substantially triangular in cross-section, and passages leading therefrom to the axle, substantially as and for the purposes set forth. (3.) In a wheel of the kind described, a hub provided with an annular oil-chamber, means for leading oil therefrom to the axle, and transverse diaphragms fitted in said chamber, substantially as and for the purposes set forth. (4.) A self-lubricating wheel consisting of the parts combined, arranged, and adapted to operate substantially as described.

(Specification, 3s. ; drawing, 1s.)

No. 25093.—20th October, 1908.—JOSEPHINE CAROLINE OLIVER, of "Barbreck," Tauranga, New Zealand, wife of Henry Oliver, Gentleman. **An improved colander.***

Claim.—An improved colander, made to fit saucepans of every size and description, manufactured from any suitable metal or material, with a handle or handles for lifting, and with brackets on the outside of the colander, these brackets to work either with springs or hinges, or by any other simple or suitable method, the brackets to be pressed or folded flat to the sides of the colander before placing it in the saucepan, and to be opened out when the colander is lifted up after food is cooked, so that the colander can rest on them, thus keeping the contents of the colander hot without spoiling, until such time as they are needed for the table.

(Specification, 3s. 6d. ; drawing, 1s.)

No. 25108.—21st October, 1908.—ERNEST WILLIAM HURSTHOUSE, of Wellington, New Zealand, Mechanical Engineer. **Improved apparatus for steam cooking.***

Claims.—(1.) Improved apparatus for cooking by steam, consisting of the parts constructed, combined, arranged, and operating substantially as specified and illustrated in the drawing. (2.) Apparatus for the purpose indicated, comprising a cylindrical vessel having a tapering bottom, a perforated false bottom therein, a steamtight door and cover for the purpose of charging material to and withdrawing it from the vessel, and a perforated steam-pipe passing into said vessel, substantially as specified and illustrated in the drawing.

(Specification, 2s. ; drawing, 1s.)

No. 25126.—23rd October, 1908.—JAMES GRAY, of Dunedin, New Zealand, Engineer. **Improved means for lubricating wheels.***

Claims.—(1.) In a wheel of the kind described, an annular oil-chamber fitted round the outward extension of the axle, and passages leading therefrom to the axle, substantially as and for the purposes set forth. (2.) In a wheel of the kind described, an annular oil-chamber fitted round the outward extension of the axle, means for leading oil therefrom to the axle, and transverse diaphragms arranged in said chamber, substantially as and for the purposes set forth. (3.) In a wheel of the kind described, having oil-chambers with passages leading therefrom to the axle, feeding the oil to the axle by means of a woollen or worsted thread communicating from the axle to the oil-chamber substantially as described. (4.) In a wheel of the kind described, having oil-chambers with passages leading therefrom to the axle, feeding the oil to the axle by means of a bent or straight piece of wire, one end of which is inserted in a hole in the axle-bush and the other in the oil-chamber, substantially as described. (5.) A self-lubricating wheel consisting of the parts combined, arranged, and adapted to operate substantially as and for the purposes set forth with reference to Figs. 1 and 2, or Fig. 3, or Figs. 4 and 5 of the drawings.

(Specification, 4s. 6d. ; drawing, 2s.)

No. 25167.—2nd November, 1908.—HERBERT SMART, of Young Street, New Plymouth, New Zealand, Plumber. **An improved spouting-bracket.***

Claims.—(1.) In spouting-brackets of the class described, a bar with downwardly turned ends pivotally secured to the underside of the horizontal member of the bracket, and adapted to turn in a horizontal plane, and for its ends to engage respectively with the internal faces of the front and back of the spouting placed within the bracket, substantially as and for the purposes specified. (2.) The improved spouting-bracket constructed substantially as described and explained, and as illustrated in the drawings.

(Specification, 2s. 9d. ; drawing, 1s.)

No. 25171.—4th November, 1908.—JAMES MACMEIKAN, of 509 Collins Street, Melbourne, Victoria, Australia, Merchant (assignee of Russell Rayson, of City Council Cool Stores, Wharf Road, Melbourne aforesaid, Refrigerating Engineer). **A new sterilised cooled air circulating process and apparatus for the preservation of alimentary substances.***

Extract from Specification.—Important features of this invention comprise the means whereby, when the cooling operation is started, the foul air in the chamber is automatically exhausted, and also the means for delivering the cooled air through hollow hanging devices direct upon the stored products. The machinery comprising part of this apparatus consists principally of an air-compressor, heating-cylinder, accumulator, circulating-fan, filters, vacuum pumps, and any kind of refrigerating agent or coolers.

[NOTE.—The above extract from the specification is inserted in place of the claims.]

(Specification, 12s. 6d. ; drawing, 3s.)

No. 25184.—6th November, 1908.—CHARLES EDWARD HODGE, Mechanician, and SOREN PEDER ANDERSEN, Dairy Expert, both of Auckland, New Zealand. **Improvements in milking-machine teat-cups.***

Claims.—(1.) In milking-machine teat-cups, the combination with an outer casing of an inner flexible lining having a constant air-space within its lower end, a valve hermetically closing such end and capable only of opening outwards, and a flexible mouthpiece secured over the top end of the casing and adapted to fit closely around the cow's teat, substantially as specified. (2.) In milking-machine teat-cups, an outer casing, an inner flexible lining secured within such casing and having an inflexible lower end, a valve cylinder extending from the lower end of the lining, and a valve mounted within and hermetically closing such cylinder and adapted only to open outwards, a flexible mouthpiece secured upon the top end of the cup, and means whereby the space around the lining may be connected with an air-pump or the like, substantially as specified. (3.) In milking-machine teat-cups, the combination with an outer casing having a flexible mouthpiece secured across its upper end, of a flexible lining secured within the casing and having an air-chamber in communication with its lower end and a valve controlling the entry to such air-chamber and capable only of opening outwards, substantially as specified. (4.) The teat-cup for milking-machines, constructed and operating substantially as described and explained, and as illustrated in the drawings.

(Specification, 6s. ; drawing, 1s.)

No. 25203.—11th November, 1908.—UNITED SHOE MACHINERY COMPANY, of Paterson, in the State of New Jersey, United States of America, a corporation duly organized under the laws of said State of New Jersey, carrying on business as Shoe Machinery Manufacturers, and having a place of business at 205 Lincoln Street, Boston, Massachusetts, United States of America (assignees of Arthur Bates, of Leicester, England, Engineer). **Improvements in or relating to inseam-trimming machine.***

Claims.—(1.) In a machine of the class described having a reciprocating knife provided with a transverse cutting edge, devices such, for example, as a work-positioning member or a shear blade, or both, co-operating with the knife in the cutting operation, constructed and arranged for relative movement out of their normal working relation to permit the sharpening of the knife without removal from the machine. (2.) In a machine of the class described, devices co-operating with the knife constructed and arranged to render it inaccessible for sharpening when they are in their normal working relation thereto, and mounted for movement out of working relation therewith to render it accessible for sharpening without removal from the machine.

[NOTE.—Here follow eleven other claims.]

(Specification, 15s. ; drawing, 4s.)

No. 25292.—2nd December, 1908.—WALTER LEVINSON, of 9 Beaconsfield Parade, Victoria, Australia, Agent. An improved cigarette-holder.*

Claim.—An improved cigarette-holder consisting of a tube of gelatine open at one end and closed at the other save for a perforation in the centre of the end thereof, the rim at the open end being preferably turned back, and the said holder being dipped in or sprayed with a solution of formaldehyde and subsequently coated with wax, collodion, or varnish, as and for the purposes stated.

(Specification, 4s. ; drawing, 1s.)

No. 26133.—21st June, 1909.—ALEXANDER CAMPBELL, of Sutton, Otago Central, New Zealand, Miner. Improved apparatus for automatically operating hydraulic nozzles in sluicing and the like.

Claims.—(1.) The combination with a hydraulic nozzle of automatic means for moving it rectilinearly both laterally and vertically, substantially as and for the purposes set forth. (2.) The combination with an hydraulic nozzle of automatic means for moving it alternately laterally and vertically, one movement being intermittent and the other substantially continuous, substantially as and for the purposes set forth. (3.) The combination of a portable framework, a carrier adapted to move laterally on said framework, a hydraulic nozzle mounted on said carrier and adapted to move vertically thereon, and a motor mounted on said framework and geared to move said carrier laterally and said nozzle vertically as desired, substantially as and for the purposes set forth. (4.) The complete apparatus for automatically operating hydraulic nozzles in sluicing and the like, substantially as described.

(Specification, 10s. ; drawing, 1s.)

No. 26188.—27th July, 1909.—CROSBY ARCHER LEGG, of 29 Barbour Street, Linwood, Christchurch, New Zealand, Clerk. An improvement in or relating to doors of cooking-ovens.

Claim.—For the purpose indicated, the combination with an oven-door having a slot near its upper part and a thermometer, of a guard having bars to protect the back of the thermometer, a slide mounted in a frame to protect the front of the thermometer, bolts passing through the guard, the frame, and the dial of the thermometer, and packing a non-conducting material interposed between the thermometer and the door, and between the frame and the door, substantially as set forth.

(Specification, 3s. 6d. ; drawing, 1s.)

No. 26203.—8th July, 1909.—SAMUEL FREDERICK GALAGHER, of 254 Smith Street, and CHARLES PERCY RENDLE, of 244 Smith Street, both in Collingwood, near Melbourne, Victoria, Australia, Tailor and Furniture Warehouseman (assignees of Louis Robinson, of "Victor" Jackson Street, Northcote, near Melbourne aforesaid, Commercial Traveller). An improved method of combining leather and rubber.

Claims.—(1.) An improved method of combining leather and rubber consisting of perforating a hide of chrome leather with holes of any desired size and placing at the back thereof a mass of rubber dough, subjecting both articles to pressure by rolling and then to a vulcanising process, so as to fill with the rubber the said perforations as described and explained. (2.) The method of combining leather and rubber as described and explained.

(Specification, 3s. 6d.)

No. 26229.—13th July, 1909.—GEORGE VINCENT BARTON, of "Shirley," Queen's Drive, Mossley Hill, Liverpool, England, Chemical-manufacturer. Improvements in salts or oxides of lead.

Claims.—(1.) The process of making red-lead consisting in submitting melted metallic lead in a closed chamber to stirring and the action of a blast of air and steam, heating the effluent dust and gases until the entire content of lead is oxidized, allowing the air and gas to escape, but delivering the oxide into a second heated closed chamber until it is reduced to the requisite colour. (2.) The step in the system of making red

or white lead which consists in heating the metallic lead in a closed chamber with stirring, and subjection to air and steam, and then heating the effluent materials *en passant* until all the metallic lead is thoroughly oxidized.

[NOTE.—Here follow five other claims.]

(Specification, 10s. ; drawing, 3s.)

No. 26232.—13th July, 1909.—HERMANN JOHN SCHMIDT, of Auckland, New Zealand, Photographer. Improvements in photography.

Claim.—The improvements in photography consisting in taking a bromide print having a purely white background, toning the print, working up the photograph and the background with pastel chalks, and applying a fixative consisting of mastic and amyl acetate to preserve the chalk from damage, substantially as set forth.

(Specification, 1s.)

No. 26250.—19th July, 1909.—GEORGE LEZINSKY, of 115 Broadway, New York, United States of America, Attorney at Law. Improvements in explosive compounds and manufacture of the same.

Claims.—(1.) A product, entire in itself or intended to form part of an explosive compound, consisting of a pulverised, unwashed homogeneous mass resulting from the combination of nitric acid with a mixture, in substantially the proportions specified, of pulverised resin and pulverised vegetable material, such as pulverised whole wheat or other cereal, the product containing, as a permanent part thereof, water-soluble material in itself or rendered water-soluble by the action of said acid, the acid being limited to a quantity sufficient to put the mixture of resin and wheat flour in the form of a porous cake.

[NOTE.—Here follow four other claims.]

(Specification, 11s. 6d.)

No. 26251.—19th July, 1909.—GEORGES SCHAULI, of 63 Harberton Road, Upper Holloway, London, England, Electro-chemical Engineer. Improvements in and connected with electric batteries.

Claims.—(1.) An electric galvanic battery composed of a negative element consisting of a number of zinc plates formed from pressed-zinc sheet, corrugated on one side or not and connected together by a cast-zinc frame or zinc strips, a positive element composed of plumbago or charcoal and manganese-oxide (natural or artificial metallic), surrounding which is a paste or mixture composed of ammonium-chloride or other metallic chloride or lime-salts and zinc-chloride, the whole being carried by a carbon rod, and an electrolyte composed of an amylaceous substance, such as amylo, flaked rice, acacin, bassorine, cerasin, dextrin, lignin, lichenin, cellulose, tragacanth, phytocolla or gluten, paramylone or inulin, soaked in cold water and admixed with chloride of zinc, to which is added aluminium-chloride, manganese-chloride, or metallic chloride salts, the whole being combined in the manner described and contained within a casing and sealed therein, substantially as set forth. (2.) In an electric galvanic battery of the kind set forth in claim 1, the employment of an artificial metallic manganese-oxide as a depolariser, such artificial metallic manganese-oxide being prepared by melting chemically pure metallic manganese in a plumbago crucible until the heat of the metal dissolves part of the crucible so that a proportion of plumbago becomes mixed with the metal, substantially as set forth.

(Specification, 6s. 6d. ; drawing, 1s.)

No. 26253.—25th November, 1908.—GEORGE EDWARD SMITH, of 215 Lambton Quay, Wellington, New Zealand, Boot and Shoe Manufacturer. Improvements in rubber footwear.

[NOTE.—This is an application under the International and Inter-colonial Arrangements, the date given being the official date of the application in the United States of America.]

Extract from Specification.—According to my invention, I employ a flanged metal plate which is located within the heel of the golosh between the insole and the outer sole. This metal plate is secured in position during the construction of the golosh.

[NOTE.—The above extract from the specification is inserted in place of the claims.]

(Specification, 3s. 3d. ; drawing, 1s.)

No. 26275.—22nd July, 1909.—WILLIAM SMART, of 83 Milton Street, Sydenham, Christchurch, New Zealand, Asphalter. An improved broom for sweeping channels or gutters.

Claim.—A broom for the purpose indicated, comprising a stock shaped to correspond to the configuration of a gutter or channel, and having bristles of uniform length, substantially as set forth.

(Specification, 1s. 6d. ; drawing, 1s.)

No. 26281.—24th July, 1909.—JOHN HARRY PEDERSEN, of Utiku, Wellington, New Zealand, Factory Manager. An improved peeler for peeling potatoes, apples, and the like.

Claims.—(1.) A peeler for the purpose indicated, comprising in combination, a handle provided with a shoulder at one end thereof having a pin projecting therefrom, a bar into one end of which the said pin screws, a knife-blade provided with a shoulder having a projecting pin adapted to screw into the other end of the said bar, and an adjustable cutter adapted to pass over said bar, and to be held securely between the said shoulders and bar, substantially as described. (2.) In a peeler of the kind described, an adjustable cutter, consisting of a blade provided with a cutting edge, lugs upon the ends thereof, adapted to be gripped between the said parts, slots in said lugs through which the pins pass, substantially as set forth. (3.) The combination and arrangement of parts comprising the improved peeler, substantially as specified and illustrated in the drawings.

(Specification, 3s. 6d. ; drawing, 1s.)

No. 26282.—24th July, 1909.—HAROLD WILLIAM SMITH, of 63 Wellington Street, Auckland, New Zealand, Farm Cadet. An improved manure-sower.

Claims.—(1.) In a manure-sower of the class described, a false bottom having sloping faces converging and meeting at the centre, said false bottom hinged at one end near the rear of the hopper, the front end thereof adapted to be raised by means of levers, for the purpose of causing the manure to flow towards the rear of the hopper, substantially as set forth. (2.) In a manure-sower of the kind described, means for controlling the flow of manure from the hopper comprising a slide adapted to pass over an opening in the hopper, a horizontal lever, a pin projecting from the lever and engaging a slot in the slide, an operating lever pivoted upon the side of the hopper and having its lower end connected to the said horizontal lever by a rod, substantially as described. (3.) The combination and arrangement of parts comprising the improved manure-sower, substantially as specified and illustrated in the drawings.

(Specification, 4s. 9d. ; drawing, 1s.)

No. 26283.—22nd July, 1909.—ALFRED JOHN EGGLTON, of St. Clair, Dunedin, New Zealand, Inventor. Permanent forms for building in concrete.

Claims.—(1.) In building with concrete poured between forms, the method of setting up permanent forms of the materials required, said forms supported by studs wired together to prevent spreading, and between which the said concrete is poured, so that when sufficiently set and the studs removed and wires cut and clipped a finished structure properly faced is obtained, all substantially as described and explained, and as illustrated in the drawing. (2.) In building with concrete poured in between forms, the substitution of the usual temporary removable forms with permanent forms made of the desired materials required in the different parts of the structure, said permanent forms being supported by studs wired together to prevent being spread by the pouring-in of the concrete, and when the said studs are removed and the wires trimmed a permanently faced structure is the result, all substantially as set forth.

(Specification, 4s. 3d. ; drawing, 1s.)

No. 26287.—23rd July, 1909.—PERKS DANE AND COMPANY PROPRIETARY, LIMITED, carrying on business as General Machinery Merchants, Indentors, Importers, and Electrical Engineers, at 15 Queen Street, Melbourne, Victoria, Australia (assignees of John Edward Dane, of 15 Queen Street, Melbourne aforesaid, a director of said company). Improvements relating to the drying of, or abstraction of moisture from, insulated electric cables.

Extract from Specification.—According to this invention the cable to be treated is wound upon a drying drum, which is heated by the passage of hot air, steam, or the like into its interior. The heat passes through the wall of the barrel of the drum to the cable, evaporating the moisture therein.

[NOTE.—The above extract from the specification is inserted in place of the claims.]

(Specification, 12s. 6d. ; drawing, 2s.)

No. 26310.—29th July, 1909.—GODFREY HUGH MASSY BAKER, of 478 Clarence Street, Ottawa, Canada, Civil Engineer. Improvements in sawing-devices.

Claims.—(1.) In a saw guiding and feeding device, a guideway, means for connecting the same to a tree or the like, a guideblock slidable on the guideway, a guideplate pivotally connected to the guideblock and adapted to slidably engage and guide the saw, and means for feeding the guideblock along the guideway.

[NOTE.—Here follow four other claims.]

(Specification, 5s. ; drawing, 1s.)

No. 26312.—27th July, 1909.—THE SUB-TARGET COMPANY, LIMITED, of 29A Charing Cross Road, London W.C., England (assignees of Frank Mitchell, of 8 St. Peter's Square, Hammersmith, London W., Engineer). Improvements in or relating to apparatus for rifle, gunnery, and like practice.

Extract from Specification.—This invention is for improvements in or relating to apparatus for rifle, gunnery, and the like practice, and relates to the class of apparatus wherein a cord or other flexible connection is aligned with the bore of the firing-piece and the target aimed at, and is connected with a device of known form for magnifying or multiplying the displacement of the lever or marker relatively to the actual angular displacement of the gun from the true aiming position. This cord or connection always occupies the direct line from the firing-piece to the bull of the distant target, and controls the needle or marker so that movement of the firing-piece relatively to this line is imparted to the marker. According to this invention a cord is employed, as before, which lies normally in line with the bore of the rifle or other firing-piece, and extends therefrom to a point in front of the rifle. This cord is interrupted by a device—for example, a stirrup or yoke—at a point near the rifle, and a needle or other recording member is pivoted to a support carried by the rifle and operatively engaged with the stirrup or other device. Preferably a housing is provided for the stirrup or other device that interrupts the cord, and such housing also supports the recording member, and is shaped to constitute an endwise extension of the stock of the rifle. By arranging the parts in this manner the recording mechanism does not foul the line of sight, and does not project laterally or vertically from the rifle in such a way as to distract the marksman or become easily damaged in use.

[NOTE.—The above extract from the specification is inserted in place of the claims.]

(Specification, 15s. ; drawing, 1s.)

No. 26320.—31st July, 1909.—JOHN HARRISON, of Madras Street, Christchurch, New Zealand, Builder. Improved ventilator and ceiling-light.

Claims.—(1.) For the purpose indicated, a frame or curb supported upon blocks within a combing formed in a ceiling, perforated zinc within openings formed by the blocks under the frame or curb, a space being left between the frame and the combing, bars glazed with plain or decorative glass, and supporting a frame fitted with perforated zinc, substantially as set forth. (2.) For the purpose indicated, a ventilator and ceiling-light forming a dome or truncated cone, surmounted by a panel of perforated zinc, and intermittently supported at its base in a loosely fitting combing formed in a

ceiling, and spaces between the frame and the combing to allow steam to escape to the roof, substantially as set forth. (3.) The combination and arrangement of parts comprising the improved ventilator and ceiling-light, substantially as and for the purposes set forth and illustrated in the drawing. (Specification, 2s. 6d.; drawing, 1s.)

No. 26326.—30th July, 1909.—HARRY PERRINS, of Oakdene, Bearwood Road, Smethwick, Stafford, England, Engineer. Improvements in wheels for motor and other road vehicles.

Claims.—(1.) In a road-vehicle wheel the combination of two stamped sheet-metal side discs, the adjacent face of each of which has a circumferential groove at or near its periphery, a central hub or axle-box on which the discs are mounted, furnished with means for removably securing said discs there-to face to face, a detachable trough section-wheel rim made with inturred edges, and adapted to receive a pneumatic tire, and to fit into and be clipped between the grooved faces of said two discs, and means for clamping said detachable rim and discs together, substantially as set forth. (2.) In a road-vehicle wheel the combination of two stamped sheet-metal side discs, the adjacent face of each of which has a circumferential groove at or near its periphery, a central hub or axle-box on which the discs are mounted, furnished with one fixed and one removable flange outside said discs, and a detachable distance-block mounted on said hub or axle-box so as not to turn thereon between said discs, which latter are stamped with projections engaging in recesses in the distance-block to prevent the discs turning on the hub or axle-box, or turning independently of one another, substantially as set forth.

(Specification, 6s.; drawing, 3s.)

No. 26345.—4th August, 1909.—WILLIAM WHYTE CABENA, of 405 Lonsdale Street, Melbourne, Victoria, Australia, Merchant (assignee of William Stocks, of 32 Kerr Street, Fitzroy, Victoria aforesaid, Engineer and Rubber Expert). Improvements in or connected with the manufacture of rubber or the like.

Claims.—(1.) The improved manufacture of rubber consisting in the combination of old waste rubber and sesquisulphate of lime mixed together in the manner and the approximate proportions specified. (2.) In the manufacture of the rubber compound referred to in claim 1, the use of naphthaline and benzine as solvents for the mixture, substantially as specified. (3.) In the manufacture of the rubber compound referred to in claim 1, submitting the combined ingredients to steam pressure, substantially as and for the purposes specified.

(Specification, 2s. 6d.)

No. 26350.—4th August, 1909.—ALBEMARLE BRINDLEY BETTINGTON, of Brindley Park, Merriwa, New South Wales, Australia, Grazier. An improved instrument for decaudating and cauterising animals.

Claims.—(1.) An improved instrument for decaudating and cauterising animals comprising shears having a pair of copper cutters the edges of which being adjustable transversely on the jaws of said shears, the lower handle having a T-shaped ending and also a stop-piece to limit the closing movement of the upper handle, thereby protecting the cutting edges of said cutters, as described and ascertained. (2.) An improved instrument for decaudating and cauterising animals consisting of the parts or integers as described and illustrated in the drawings.

(Specification, 2s. 9d.; drawing, 1s.)

An asterisk (*) denotes the complete specification of an invention for which a provisional specification has been already lodged.

NOTE.—The cost of copying the specification and drawing has been inserted after the notice of each application. An order for a copy or copies should be accompanied by a post-office order or postal note for the cost of copying.

The date of acceptance of each application is given after the number.

Extracts from the drawings accompanying the foregoing complete specifications appear at the end of this *Gazette*.

J. C. LEWIS,
Registrar.

Provisional Specifications accepted.

Patent Office,
Wellington, 8th September, 1909.

APPLICATIONS for Letters Patent, with provisional specifications, have been accepted as under:—

- No. 26157.—E. and W. Berg, beer-register.
No. 26259.—R. Thomas, billiard-game.
No. 26260.—J. Bate, flax-washer.
No. 26284.—C. J. H. Thomson, flax-treatment.
No. 26319.—J. E. Brydges, billiard-table.
No. 26325.—R. W. Swindley, bottle.
No. 26330.—J. T. Kibblewhite, wheelbarrow.
No. 26337.—H. Fisher, non-refillable bottle.
No. 26342.—L. G. Grace, milking-machine.
No. 26343.—A. W. Reid, milking-machine pulsator.
No. 26348.—E. Turpin, chaffcutter-knife sharpener.
No. 26352.—A. Lyell, apple-parer.
No. 26360.—W. H. Anscombe, wire-splice shield.
No. 26362.—A. Turner, oil-colour preservative.
No. 26363.—P. Ellis and W. Forester, flying machine.
No. 26370.—P. L. Ritchie, toy.
No. 26375.—A. Gannaway, letter-copying press.
No. 26379.—H. W. and W. W. Jones and E. Foote, folding lunch-box.
No. 26384.—H. Quartier, ticket-printer.
No. 26385.—C. W. Clayton, boot back-seam stay.
No. 26388.—F. W. G. Levestam, roofing-nail.
No. 26393.—T. N. Fletcher, target.
No. 26395.—W. T. Cooper, water-pipe joint.
No. 26398.—United Shoe Machinery Company, fastener-inserter. (W. Pratt and G. Pegg.)
No. 26399.—United Shoe Machinery Company, boot-machine. (A. Bates, T. Briggs, and J. J. Marsh.)
No. 26400.—United Shoe Machinery Company, boot-machine. (F. B. Keall, J. Gouldbourn, and A. E. Jerram.)
No. 26411.—P. Ericksen, soap.
No. 26416.—H. Campbell, internal-combustion engine.
No. 26417.—T. McCaughan, gate-bolt.
No. 26426.—J. N. Griffin, tramcar-brake.
No. 26430.—J. M. Collins, J. Low, and A. Burges, flax-washer.
No. 26431.—H. Fisher, life-saving apparatus.
No. 26441.—United Shoe Machinery Company, cutter for sheet material. (A. Bates.)
No. 26442.—United Shoe Machinery Company, press. (F. Ashworth.)
No. 26443.—United Shoe Machinery Company, press. (I. C. Buckminster.)
No. 26444.—United Shoe Machinery Company, press. (L. A. Casgrain.)

[NOTE.—Provisional specifications cannot be inspected, or their contents made known by this office in any way, until the complete specifications in connection therewith have been accepted.]

Letters Patent sealed.

LIST of Letters Patent sealed from the 18th August to the 1st September, 1909, inclusive:—

- No. 23895.—O. L. Ahrens, P. A. Schmitt, C. Mosle, and K. A. M. Wepfer, meat-preserving process.
No. 24399.—D. Robertson, postmarking-machine.
No. 24414.—H. Hadida, stamp-affixer.
No. 24415.—J. A. Belk, railway-fishplate.
No. 24430.—W. J. Blair, acetylene-generator.
No. 24474.—A. G. Jackson, chaffcutter-riddle.
No. 24479.—E. E. King, boot and shoe upper.
No. 24497.—H. Berry, suction-gas plant.
No. 24547.—H. J. Topliss, churn-lid.
No. 24549.—H. J. Topliss, butter-packer.
No. 24722.—J. A. Whitman, clutch. (E. E. Norton.)
No. 24723.—J. A. Whitman, talking-machine. (E. E. Norton.)
No. 24798.—J. Morris and S. A. B. Marks, hat-fastening.
No. 24902.—E. H. Trotman, manufacture of fertiliser from waste leather, &c.
No. 25245.—A. Sharp, air-spring.
No. 25523.—E. B. Killen, rubber tire.
No. 25731.—M. Donaghy and Sons Proprietary, Limited, removal of lumps, &c., from binder-twine. (W. Jose.)
No. 25796.—W. Clark, tablet system of railway-traffic control.
No. 25804.—A. L. E. Crombie, music-teacher.
No. 25821.—A. E. Lindau, reinforced-concrete bar.
No. 25854.—G. Cowdery, rail-joint.
No. 25883.—A. J. Bedford and H. C. L. Rolfe, fencing-dropper.
No. 25939.—E. S. Baldwin, roller bearing. (S. Kaye.)

Letters Patent on which Fees have been paid.

[NOTE.—The dates are those of the payments.]

SECOND-TERM FEES.

- N**O. 19955.—J. K. Blogg, culinary essence. 26th August.
- No. 19979.—F. G. McKim, pneumatic tire. 1st September.
- No. 19999.—A. M. Grainger, bird-trap. 3rd September.
- No. 20047.—F. Blackburn and J. Robertson, non-refillable bottle. 3rd September.
- No. 21077.—W. Blackmore and A. Howard, ore-treatment. 26th August.
- No. 21632.—G. H. Earp-Thomas, preparing organisms which gather atmospheric nitrogen. 2nd September.

THIRD-TERM FEES.

- No. 14707.—F. and T. Mercer and G. D. J. Duck, liquid-sprayer. 5th April.
- No. 15381.—R. W. Gibbs and T. H. Manson, truss. 3rd September.
- No. 15422.—The Strowger Automatic Telephone Exchange, automatic telephone exchange. (A. E. Keith, J. Erickson, and C. J. Erickson.) 2nd September.
- No. 15601.—Hon. C. A. Parsons, condenser. 2nd September.

Subsequent Proprietors of Letters Patent registered.

[NOTE.—The name of the former proprietor is given in brackets; the date is that of registration.]

- N**O. 18388.—Note of production of confirmatory deed, Russell to Butler and others, entered on register. Riding and driving saddle-tree. (J. H., H. B., and E. R. Butler—R. A. C. Russell.) 31st August, 1909.
- No. 22814.—Frederick Charles Thompson, of Auckland, in New Zealand, Salesman, registered as Proprietor of the one-half share or interest of Arthur Harry Wright. Operating venetian-blinds. (F. C. Thompson—A. H. Wright and G. B. Ritchie.) 25th August, 1909.
- No. 22814.—William Finlay, of Remuera, near Auckland, in New Zealand, Salesman, registered as Proprietor of one-half of the interest of Frederick Charles Thompson. Operating venetian-blinds. (F. C. Thompson—A. H. Wright and G. B. Ritchie.) 25th August, 1909.
- No. 24553.—Charles Gorman Cusack Whyte, of Sydney, in the State of New South Wales, Australia, Accountant, registered as Proprietor of the whole Patent. Manifold copying-books. (C. G. C. Whyte and A. Rau.) 31st August, 1909.

Notice of Request to amend Specification.

Patent Office.

Wellington, 8th September, 1909.

A REQUEST for leave to amend the specification in respect of the undermentioned application for Letters Patent has been received, and is open to public inspection at this office. Any person may at any time from one month from the date of this *Gazette* give me notice in writing of opposition to the amendments. Such notice must set forth the particular grounds of objection, and be in duplicate. A fee of 10s. is payable thereon.

No. 25840.—L. G. Grace and T. H. Gillman. Vacuum pump. (Advertised in Supplement to *New Zealand Gazette*, No. 45, of the 4th June, 1909.)

The nature of the proposed amendments is as follows:—

(1.) To strike out the whole of the paragraph commencing "This invention relates to" and ending "through vertical pipes," lines 15 to 23, page 1, and lines 1 to 3, page 2, and to insert instead the following paragraphs:—

"The invention relates to a well-known means for exhausting air from a chamber by employing the impetus of water as the motive power.

"Our invention provides improvements in apparatus embodying this principle, whereby the water, instead of being employed in one large pipe having a valve at its upper end, is used in a plurality of comparatively small pipes operating in connection with only one valve, a number of pipes being more convenient for transportation purposes than one large one, and being more readily placed in position when erecting the apparatus. Another improvement consists in the employment of a double-acting check-valve within a special vacuum tank, whereby starting is at once effected by merely allowing water to flow through the pipes, and the apparatus works automatically from the commencement."

(2.) To alter "references" to "reference" and "drawings" to "drawing," line 4, page 2; and to alter "the plan" to "a plan," line 6, page 2.

(3.) To alter "plant" to "apparatus," lines 8 and 9, page 2; to insert "water" before "receptacle," line 9, page 2; and to insert "the" before "required," line 12, page 2.

(4.) To insert the words "integral with and" after the word "projection," line 14, page 2; the words "having the" after "other," line 17, page 2; to omit the word "securing," line 17, page 2; and to insert the words "secured upon it" after "spring C," line 18, page 2.

(5.) To omit the words from "screwed into casting A" down to "to be exhausted," lines 19 to 25, page 2, and to insert instead the following:—

"The vacuum tank I is fitted with two corresponding valve-casings M, each fitted with a valve G, both casings communicating with said vacuum tank, while one is connected to the cylindrical casting A and the other is screwed at N for connection to the range of pipes or to the vessel from which air is to be exhausted.

"The casings are, for convenience in manufacture, made in two parts, the one screwing into the other, as shown, and each casing has a guide K through which works a rod H connecting the two valves G, which are so arranged that when one is closed upon its seat the other is open.

"The spring L is threaded upon the rod H, and normally returns the valves G to the position indicated on the drawing."

(6.) To strike out the words "under certain conditions" down to "substituted," lines 1 and 2, page 3.

(7.) To alter "plant" to "apparatus," line 6, page 3.

(8.) To insert "the" before "cylinder," line 11; before "vacuum," line 12; before "cylinder," line 12; before "check-valve," line 13; before "end," line 13; before "other," line 14; before "vacuum," line 14; before "check-valve," line 19; before "vessel," line 20; before "vacuum tank," line 22; and before "spring," line 23: all on page 3.

(9.) To strike out the words "the tank thus being practically exhausted of air," and to insert instead "and practically the whole of the air becomes exhausted from the tank," line 15, page 3; to insert the word "valve" after "other," line 20, page 3; and to insert the word "said" before "vessel," line 21, page 3.

(10.) In claim 1 to strike out the words "the same consisting of," and to insert instead "comprising in combination a," lines 1 and 2; and to insert "the" before "cast," line 2.

(11.) In claim 2 to strike out the words "means for using several pipes," line 1; to insert the words "a plurality of pipes" after "explained," line 2; to strike out the words "the same to be," line 2; and to alter "drawings" to "drawing," line 5.

(12.) In claim 3 to strike out the words "in slotted rest in projection in," line 2, and to insert instead "threaded upon the valve-rod within the."

(13.) In claim 4 to insert the words "in apparatus for the purpose indicated the employment of the" before the word "means," line 1; to insert "the" before "apparatus," line 1; to insert "said means consisting of" after "commencement," line 2; to strike out the word "by," line 2; and to insert the word "employment" instead of "attachment," line 2.

(14.) In claim 5 to alter "constructional" to "construction," line 1.

The applicants state, "Our reasons for making this amendment are as follows: For the purpose of more clearly explaining the invention and defining the scope of the claims."

J. C. LEWIS,
Registrar.

Request for Correction of Clerical Error in Application for Letters Patent.

NO. 25976.—J. T. Hunter, linotype-machine (Linotype and Machinery, Limited—H. Pearce and J. E. Billington). (Advertised in Supplement to *New Zealand Gazette*, No. 59, of the 15th July, 1909.)

On line 10, page 8, of specification, to delete the words "higher will be," and to substitute therefor the words "less will be the allowance for the descenders, below."

Application for Letters Patent refused.

THE following application for Letters Patent has been refused:—

No. 25622.—F. Smith.—Shoette. (Advertised in Supplement to *New Zealand Gazette*, No. 30, of the 8th April, 1909.)

Applications for Letters Patent abandoned.

LIST of applications, with which provisional specifications only have been filed, abandoned (*i.e.*, complete specifications not lodged) from the 22nd August to the 3rd September, 1909, inclusive:—

- No. 25114.—J. Sweeney and J. Kidd, condenser.
 No. 25116.—A. Ferguson, waste-paper basket.
 No. 25130.—H. Quartier, carburetter.
 No. 25131.—C. R. H. Neich and L. Mossong, carriage-seat.
 No. 25138.—W. Carr and A. E. Spooner, power-transmitter for current-turbine.
 No. 25139.—R. Sainsbury, G. Jones, and W. Jenkins, gold-saving table.
 No. 25152.—T. Hall and F. Elvines, metal-saving mat.
 No. 25153.—W. V. Page, attaching label to fabric.
 No. 25155.—P. Dow, distance-gauge for bowls.
 No. 25156.—J. Shepherd and T. Palmer, steam turbine engine.
 No. 25159.—A. E. Johnson and W. B. Bailey, ink.
 No. 25161.—W. H. Anscombe, wire-splice shield.
 No. 25164.—J. A. Paterson, hydrocarbon-gas apparatus.
 No. 25166.—E. E. F. Grimmer, tire-pump.
 No. 25182.—R. R. Dowden and J. S. Clark, milk-weigher.
 No. 25183.—W. J. Butler, sewing-machine.

Application for Letters Patent void.

APPLICATION for Letters Patent, with which complete specification has been lodged, void owing to non-acceptance of such complete specification, from the 21st August to the 3rd September, 1909, inclusive:—

- No. 24423.—A. Jack, hydrocarbon-gas generator.

Applications for Letters Patent lapsed.

APPLICATIONS for Letters Patent lapsed, owing to Letters Patent not being sealed, from the 21st August to the 3rd September, 1909, inclusive:—

- No. 23932.—J. Shiels, flax-machine.
 No. 23940.—J. Stevens, harness.
 No. 24035.—W. J. Pallant, upper.
 No. 24046.—M. Janson and O. Anderson, imitation-marble manufacture.
 No. 24053.—W. Cochrane, propeller.
 No. 24060.—W. Bennet, sole and heel.
 No. 24091.—T. Morris, vehicle-step protector.

Letters Patent void.

LIST of Letters Patent void through non-payment of renewal fees, and through expiry of term of fourteen years, from the 20th August to the 3rd September, 1909, inclusive:—

THROUGH NON-PAYMENT OF SECOND-TERM FEES.

- No. 19506.—A. G. R. Williams, sewing-machine.
 No. 19509.—G. P. Hughes, wood-splitter.
 No. 19510.—C. H. Fulbrook, curtain-ring.
 No. 19514.—A. Reid, hook for reins, &c.
 No. 19515.—T. Wilson, altimeter.
 No. 19520.—T. Firth, horse-stopper.
 No. 19534.—A. Storrle, turnip-thinner.
 No. 21194.—G. L. M. Dörwald, carburetter.

THROUGH NON-PAYMENT OF THIRD-TERM FEES.

- No. 14904.—G. L. Pearson, boring and well-driving apparatus.
 No. 14918.—O. Prolius, centrifugal-machine bearings.
 No. 14920.—A. Cooper, wheel-lock.
 No. 14925.—P. Lanigan, stone-cutter, &c.
 No. 14932.—C. J. Shipway and H. May, sheep-shears.
 No. 14933.—G. W. Berry, soldering cans, &c.
 No. 14934.—W. Rodier, rabbit-trap.
 No. 14966.—A. Hodge and W. Jones, horse-cover.

THROUGH EXPIRY OF TERM.
Nil.

NOTE.—The following Letters Patent were inadvertently advertised as void in the *Gazette* No. 59, of the 15th July, 1909, owing to the fact that the patentees did not advise this office of the payment:—

- No. 14707.—F. Mercer, T. Mercer, and G. D. J. Duck, sprayer.

Design expired.

THE copyright in the following design has expired:—

- No. 217.—H. T. Harding and A. F. Billing, of Auckland, New Zealand. (Postal view card.)

Subsequent Proprietors of Design registered.

[NOTE.—The name of the former proprietors is given in brackets; the date is that of registration.]

- No. 388.—Pilkington Brothers, Limited, of Glass Works, St. Helens, in the County of Lancaster, England, Glass-manufacturers. (Witting Bros., Limited.) 25th August, 1909.

Applications for Trade Marks filed.

LIST of applications for registration of Trade Marks filed from the 21st August to the 3rd September, 1909, inclusive:—

- No. 8209.—21st August.—A. F. Toomer, Christchurch, N.Z. Class 38.
 Nos. 8210 and 8211.—23rd August.—Milne and Choyce, Limited, Auckland, N.Z. Classes 47 and 24.
 No. 8212.—24th August.—J. Hymans, London, Eng. Class 34.
 Nos. 8213 and 8214.—24th August.—M. Ruddy, Sydney, N.S.W. Class 6.
 No. 8215.—24th August.—Teofani and Co., Limited, London, Eng. Class 45.
 No. 8216.—24th August.—Ellis and Manton, Wellington, N.Z. Class 42.
 No. 8217.—26th August.—D. Willox, Glasgow, Scot. Class 50.
 No. 8218.—26th August.—The Ridgway Society, Sydney, N.S.W. Class 3.
 No. 8219.—26th August.—J. Burton, Owaka, N.Z. Class 48.
 No. 8220.—27th August.—A. Newcomb and Co., Auckland, N.Z. Class 50.
 No. 8221.—27th August.—The C. A. Edgerton Manufacturing Company, Shirley, U.S.A. Class 38.
 No. 8222.—27th August.—The Maitland Brewing Company, Limited, Sydney, N.S.W. Class 43.
 No. 8223.—28th August.—B. Taylor, Christchurch, N.Z. Class 1.
 No. 8224.—28th August.—S. Chatterton, Ellerslie, N.Z. Class 2.
 No. 8225.—30th August.—A. Jones, Auckland, N.Z. Class 39.
 No. 8226.—30th August.—The Maitland Brewing Company, Limited, Sydney, N.S.W. Class 15.
 No. 8227.—31st August.—W. Phillips, Christchurch, N.Z. Class 44.
 No. 8228.—1st September.—Josiah R. Neave and Co., Fordingbridge, Eng. Class 42.
 No. 8229.—1st September.—Bataafsche Petroleum-Maatschappij, Hague, Netherlands. Class 47.
 No. 8230.—1st September.—G. Bray and Co., Limited, Leeds, Eng. Class 18.
 No. 8231.—1st September.—The Capewell Horse Nail Company, Limited, London, Eng. Class 13.
 No. 8232.—2nd September.—Société Generale des Etablissements Bergougnan & Cie, Clermont-Ferrand, France. Class 40.
 No. 8233.—3rd September.—J. Hargreaves, Auckland. Class 13.
 No. 8234.—3rd September.—T. F. Long, Gisborne, N.Z. Class 2.

Applications for Registration of Trade Marks.

Patent Office,
Wellington, 8th September, 1909.

APPLICATIONS for registration of the following Trade Marks have been received. Notice of opposition to the registration of any of these applications may be lodged at this office within two months of the date of this *Gazette*. Such notice must be in duplicate, and accompanied by a fee of £1.

No. of application : 7900.
Date : 18th March, 1909.

TRADE MARK.



The essential particular of this trade mark is the distinctive label.

NAME.

THOMAS DEANE, trading as "All-Blacks" Manufacturing Company, of 122 Cashel Street, Christchurch, in the Dominion of New Zealand.

No. of class : 50.

Description of goods : Polish for linoleum, furniture, boots, harness, and the like ; also, dubbin for all leather goods.

No. of application : 8074.
Date : 24th June, 1909.

TRADE MARK.



The essential particulars of this trade mark are the device and the word "Pyramid"; and any right to the exclusive use of the added matter is disclaimed.

NAME.

HENRY SMITH CHAMBERS, trading as "Northampton Boot Factory," of Patteson Street, Auckland, in the Dominion of New Zealand.

No. of class : 38.
Description of goods : Boots and shoes.

No. of application : 8110.
Date : 13th July, 1909.

TRADE MARK.



The essential particular of this trade mark is the device ; and any right to the exclusive use of the letters "DCC" is disclaimed.

NAME.

THE DIAMOND CYCLE COMPONENTS AND ENGINEERING COMPANY, LIMITED, of King Edward's Road, Birmingham, England, Manufacturers.

No. of class : 22.
Description of goods : Cycles.

No. of application : 8115.
Date : 19th July, 1909.

TRADE MARK.



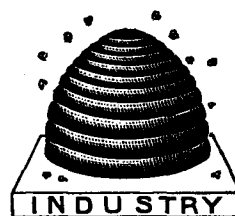
NAME.

NOBEL'S EXPLOSIVES COMPANY, LIMITED, of 195 West George Street, Glasgow, Scotland.

No. of class : 20.
Description of goods : Shot-gun cartridges.

No. of application : 8141.
Date : 28th July, 1909.

TRADE MARK.



The essential particular of the trade mark is the following—the device of a beehive; and any right to the exclusive use of the word "Industry" is disclaimed.

NAME

R. BELL AND Co., LIMITED, of Bromley-by-Bow, London E., England, and Wattle Grove, South Richmond, in the State of Victoria, Commonwealth of Australia, Manufacturers.

No. of class: 47.

Description of goods: Matches.

No. of application: 8176.

Date: 9th August, 1909

TRADE MARK.

The word

RIVAL.

NAME.

LAYDLAW, LEEDS, AND Co., of 62 Fort Street, Auckland, in the Dominion of New Zealand, Mail Order Merchants.

No. of class: 42.

Description of goods: Substances used as food or as ingredients in food, such as tea, baking-powder, &c.

No. of application: 8188.

Date: 13th August, 1909.

TRADE MARK.



The essential particular of this trade mark is the device; and any right to the exclusive use of the added matter is disclaimed.

NAME.

THOMAS CROCKET, trading as "The Bluff Canning Company," of Bluff, in the Dominion of New Zealand.

No. of class: 42.

Description of goods: Oysters.

No. of application: 8189.

Date: 14th August, 1909.

TRADE MARK.

The word

RANWATTE.

NAME.

ALFRED CHARLES LENNARD, of Wanganui, in the Dominion of New Zealand, Merchant.

No. of class: 42.

Description of goods: Substances used as food or as ingredients in food, such as cereals, flour, oatmeal, cornflour, bread, scones, pastry, cakes, biscuits, malt, pulses, hops, yeast, baking-powder, custard-powder, powdered gelatine, egg-powder, lard, butter, cream tartar, tartaric acid, citric acid, dripping, honey, condensed milk, tea, coffee, cocoa, chocolate, confectionery, fresh fruit, preserved fruit, canned fruit, dried fruit, preserved pine-apples, cocconut, milk, cream, sugar, jam, marmalade, bonbons, olive-oil, salad-oil, oil-cakes, sago, essences, jellies, cheese, pepper, mustard, anchovies, vinegar, cayenne pepper, chutney, curry-powder, ketchup, pickles, sauces, condiments, unfermented bitters, chemical food, salt, egg-preserved, eggo, canned vegetables, preserved vegetables, garden-produce, beer-clarifier, lime-juice, cordials, non-aerated beverages, non-alcoholic beverages, salmon, fish, preserved fish, salted fish, canned fish, dead rabbits, dead hares, dead game, dead poultry, bacon, ham, preserved meat, extract of meat, canned meat, spiced meat, ragged meat, salted meat, and frozen meat.

No. of application: 8192.

Date: 17th August, 1909.

TRADE MARK.

The word

BLUEBELL.

NAME.

RECKITTS (OVER SEA), LIMITED, Post-office Box 422, Wellington, in the Dominion of New Zealand, Manufacturers of Starch, Blue, Blacklead, Metal-polish, and Boot-polish.

No. of class: 50.

Description of goods: Boot-polish, blacking for boots and shoes, blacklead, metal-polish, varnish for polishing purposes, polish for stoves, knife-polish, furniture-cream, and other analogous articles.

No. of application: 8194.

Date: 18th August, 1909.

TRADE MARK.

The word

CONREX.

NAME.

CONTINENTAL-CAOUTCHOUC-UND GUTTA-PERCHA-COMPAGNI of No. 100 Vahrenwalderstrasse, Hannover, in the German Empire.

No. of class: 40.

Description of goods: Tires, especially pneumatics for vehicles of all kinds.

No. of application : 8196.
Date : 18th August, 1909.

TRADE MARK.
The word
NOSTREAK.

NAME.
A. H. NEWMAN, of Napier, in the Dominion of New Zealand.

No. of class : 47.
Description of goods : Blueing-fluid.

No. of application : 8197.
Date : 18th August, 1909.



The essential particulars of this trade mark are the device of a lion and shield, together with the word "Challenge"; and any right to the exclusive use of the added matter is disclaimed.

NAME.
WRIGHT, STEPHENSON, AND Co., LIMITED, of Dunedin, in the Dominion of New Zealand, Stock and Station Agents.

No. of class : 50.
Description of goods : Rick-cloths and tarpaulins.

No. of application : 8198.
Date : 19th August, 1909.

TRADE MARK.
The word
OCEAN

NAME.
HARGREAVES BROS. AND Co., LIMITED, of Kent Street, Hull, Yorkshire, England, Blacklead and Blue Manufacturers.

No. of class : 47.
Description of goods : Laundry-blue.

No. of application : 8199.
Date : 19th August, 1909.

TRADE MARK.
PYRAMID  **FABRICS.**

The essential particulars of this trade mark are the device and the word "Pyramid"; and any right to the exclusive use of the added matter is disclaimed.

NAME.
TOOTA BROADHURST LEE COMPANY, LIMITED, of 56 Oxford Street, Manchester, England, Merchants and Manufacturers.

No. of class : 24.
Description of goods : Cotton piece-goods.

No. of application : 8200.
Date : 19th August, 1909.



The essential particulars of this trade mark are the device and the word "Pyramid"; and any right to the exclusive use of the added matter is disclaimed.

NAME.
TOOTAL BROADHURST LEE COMPANY, LIMITED, of 56 Oxford Street, Manchester, England, Merchants and Manufacturers.

No. of class : 25.
Description of goods : Cotton handkerchiefs.

No. of application : 8201.
Date : 19th August, 1909.

TRADE MARK.
TOBRALCO.

NAME.
TOOTAL BROADHURST LEE COMPANY, LIMITED, of 56 Oxford Street, Manchester, England, Merchants and Manufacturers.

No. of class : 24.
Description of goods : Cotton piece-goods.

No. of application : 8207.
Date : 20th August, 1909.

TRADE MARK.
The words
THE PEOPLE'S FRIEND.

NAME.
JOHN ALFRED BASTIN, of 227 Karangahape Road, in the City of Auckland, in the Dominion of New Zealand, Agent.

No. of class : 41.
Description of goods : Furniture and upholstery, such as paperhangings, papier - mache, mirrors, mattresses, sideboards, duchesse pairs, and general furnishings.

No. of application : 8208.
Date : 20th August, 1909.

TRADE MARK.
The words
THE PEOPLE'S FRIEND.

NAME.
JOHN ALFRED BASTIN, of 227 Karangahape Road, in the City of Auckland, in the Dominion of New Zealand, Agent.

No. of class : 38.
Description of goods : Articles of clothing, such as hats of all kinds, caps and bonnets, hosiery, gloves, millinery, boots and shoes, other ready-made clothing, tailor-made clothing, and underwear.

No. of application : 8209.
Date : 21st August, 1909.

TRADE MARK.
The word
SOULIETTE.

NAME.
ALBERT FREDERICK TOOMER, of Christchurch, in the Dominion of New Zealand, Boot-manufacturer.

No. of class : 38.
Description of goods : Boots and shoes.

No. of application : 8211.
Date : 23rd August, 1909.

TRADE MARK.
The words
MEADOW BLEACH.

The essential particular of this trade mark is the word "Meadow"; and any right to the exclusive use of the word "Bleach" is disclaimed.

NAME.
MILNE AND CHOYCE, LIMITED, of Queen Street, Auckland, in the Dominion of New Zealand, Drapers.

No. of class : 24.
Description of goods : Calicoes and longcloths.

No. of application : 8212.
Date : 24th August, 1909.

TRADE MARK.
The word
H Y M O.

NAME.
JAMES HYMANS, of 8 and 10 Crescent, Minories, London, England, Manufacturer.

No. of class : 34.
Description of goods : Cloths and stuffs of wool, worsted, or hair.

No. of application : 8213.
Date : 24th August, 1909.

TRADE MARK.
The word
NIMROD.

NAME.
MARC RUTTY, of 58 Margaret Street, Sydney, in the State of New South Wales, Commonwealth of Australia, Merchant.

No. of class : 6.
Description of goods : Motors.

No. of application : 8214.
Date : 24th August, 1909.

TRADE MARK.
The word
FELIX.

NAME.
MARC RUTTY, of 58 Margaret Street, Sydney, in the State of New South Wales, Commonwealth of Australia, Merchant.

No. of class : 6.
Description of goods : Motors.

No. of application : 8215.
Date : 24th August, 1909.



The essential particulars of this trade mark are the following—(1) the distinctive label, (2) the combination of devices; and the applicants disclaim any right to the exclusive use of the added matter except in so far as it consists of their name.

NAME.

TEOFANI AND Co., LIMITED, of 18 Bury Street, St. Mary Axe, London, E.C., England, Tobacco and Cigarette Manufacturers.

No. of class: 45.

Description of goods: Manufactured tobacco.

No. of application: 8216.

Date: 24th August, 1909.

TRADE MARK.

The word

PACKOO.

NAME.

ELLIS AND MANTON, of Stout Street, Wellington, in the Dominion of New Zealand.

No. of class: 42.

Description of goods: Tea.

No. of application: 8217.

Date: 26th August, 1909.

TRADE MARK.

The word

HUNKYDORY.

NAME.

DAVID WILLOX, of Clyde Chemical Works, 48 Burgher Street, Parkhead, Glasgow, Scotland, Manufacturer.

No. of class: 50.

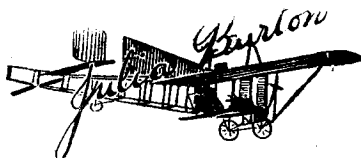
Description of goods: Boot-polish.

No. of application: 8219.

Date: 26th August, 1909.

TRADE MARK

MRS. BURTON'S
Imperial Hair Cream



The essential particulars of this trade mark are the word "Imperial," the copy of the applicant's written signature, and the device of an airship or flying-machine; and applicant disclaims any right to the exclusive use of the added matter, except her name.

NAME.

(Mrs.) JULIA BURTON, of Owaka, Otago, in the Dominion of New Zealand.

No. of class: 48.

Description of goods: Preparations for the hair.

No. of application: 8224.

Date: 28th August, 1909.

TRADE MARK.

The word

MI-KI.

NAME.

SIDNEY CHATTERTON, of Ellerslie, in the Provincial District of Auckland and Dominion of New Zealand, Merchant.

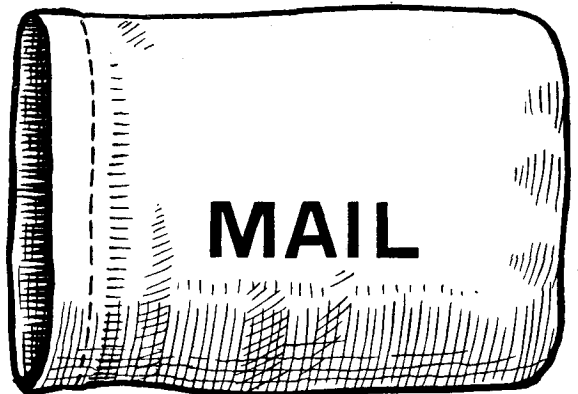
No. of class: 2.

Description of goods: Chemical substances used for agricultural, horticultural, veterinary, and sanitary purposes, such as artificial manure, cattle-medicines, horse and cattle patent condiments, tonics and beneficial mixtures, deodorisers, and vermin-destroyers.

No. of application: 8225.

Date: 30th August, 1909.

TRADE MARK.



NAME.

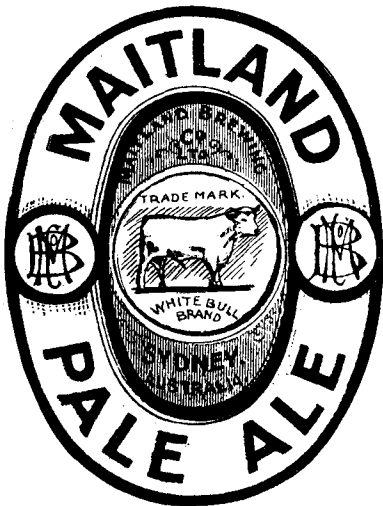
ALFRED JONES, of the City of Auckland, in the Dominion of New Zealand, Commission Agent.

No. of class: 39.

Description of goods: Paper, stationery, and bookbinding, such as envelopes, playing-cards, blotting-cases, photographs, and photographic paper.

No. of application : 8226.
Date : 30th August, 1909.

TRADE MARK.



The essential particular of this trade mark is the device of a bull; and the company disclaims any right to the exclusive use of the added matter, except its name and address.

NAME.

THE MAITLAND BREWING COMPANY, LIMITED, of Sydney, in the State of New South Wales, Commonwealth of Australia, Brewers.

No. of class : 15.
Description of goods : Glass bottles.

No. of application : 8227.
Date : 31st August, 1909.

TRADE MARK.

The word

MAPS.

NAME.

WILSON PHILLIPS, of Christchurch, in the Dominion of New Zealand, Brewer.

No. of class : 43.
Description of goods : Hop or other non-alcoholic beer.

No. of application : 8230.
Date : 1st September, 1909.

TRADE MARK.

The word

RONI.

NAME.

GEO. BRAY AND Co., LIMITED, of Bagby Works, Leicester Place, Leeds, England.

No. of class : 18.
Description of goods : Acetylene-gas burners.

No. of application : 8232.
Date : 2nd September, 1909.

TRADE MARK.



The essential particular of the trade mark is the distinctive brand, mark, or label.

NAME.

SOCIETE GENERALE DES ETABLISSEMENTS BERGOUGNAN & CIE, of Clermont-Ferrand, France, Manufacturers.

No. of class : 40.
Description of goods : Goods manufactured from indiarubber and gutta-percha, not included in other classes.

No. of application: 8235.
Date: 4th September, 1909.

TRADE MARK.



The essential particulars of this trade mark are the design and the words "Fruitdainty" and "Sunshine"; and any right to the exclusive use of the added matter is disclaimed.

NAME.

W. F. TUCKER AND Co., of Khyber Pass, Auckland, in the Dominion of New Zealand, Manufacturers.

No. of class: 42.

Description of goods: Fruitdainty and fruitdainty cream.

No. of application: 8236.
Date: 4th September, 1909.

TRADE MARK.

(The mark as shown in preceding notice No. 8197.)

The essential particulars of this trade mark are the device of a lion and shield, together with the word "Challenge"; and any right to the exclusive use of the added matter is disclaimed.

NAME.

WRIGHT, STEPHENSON, AND Co., LIMITED, of Dunedin, in the Dominion of New Zealand, Stock and Station Agents.

No. of class: 37.

Description of goods: Saddlery, leather, harness, whips, portmanteaux, horse-covers, and cow-covers.

J. C. LEWIS,
Registrar.

Trade Marks registered.

LIST of Trade Marks registered from the 21st August to the 4th September, 1909, inclusive:—

- No. 6331/7869.—National Phonograph Company. Class 8. (*Gazette* No. 41, of the 20th May, 1909.)
No. 6332/7951.—Wiggins, Teape, and Co., Limited. Class 39. (*Gazette* No. 38, of the 6th May, 1909.)
No. 6333/7952.—British American Tobacco Company, Limited. Class 45. (*Gazette* No. 38, of the 6th May, 1909.)
No. 6334/7902.—McLeod Bros., Limited. Class 47. (*Gazette* No. 30, of the 8th April, 1909.)
No. 6335/7988.—Aitchison, Steans, and Co. Class 48. (*Gazette* No. 45, of the 4th June, 1909.)
No. 6336/8008.—Cyclo and Motor Supplies, Limited. Class 40. (*Gazette* No. 45, of the 4th June, 1909.)
No. 6337/7989.—W. Tailby. Class 39. (*Gazette* No. 45, of the 4th June, 1909.)
No. 6338/8020.—The Solarine-Gesellschaft. Class 50. (*Gazette* No. 51, of the 17th June, 1909.)
No. 6339/8021.—Armour and Co. Class 42. (*Gazette* No. 51, of the 17th June, 1909.)
No. 6340/7537.—J. B. MacEwan and Co., Limited. Class 42. (*Gazette* No. 91, of the 12th November, 1908.)
No. 6341/7875.—Philips and Pike. Class 47. (*Gazette* No. 24, of the 25th March, 1909.)
No. 6342/7876.—Philips and Pike. Class 6. (*Gazette* No. 24, of the 25th March, 1909.)

- No. 6343/7975.—S. M. Bower. Class 50. (*Gazette* No. 45, of the 4th June, 1909.)
No. 6344/8033.—J. D. Carter, Limited. Class 39. (*Gazette* No. 51, of the 17th June, 1909.)
No. 6345/8034.—W. A. Hargreaves. Class 5. (*Gazette* No. 51, of the 17th June, 1909.)
No. 6346/7659.—R. McKinlay and Sons. Class 38. (*Gazette* No. 105, of the 23rd December, 1908.)
No. 6347/7660.—R. McKinlay and Sons. Class 3. (*Gazette* No. 105, of the 23rd December, 1908.)
No. 6348/8019.—E. A. H. Clarke. Class 3. (*Gazette* No. 51, of the 17th June, 1909.)

Subsequent Proprietors of Trade Marks registered.

[NOTE.—The name of the former proprietor is given in brackets; the date is that of registration.]

- NO. 82/4756.—Guest, Keen, and Nettlefolds, Limited, whose registered office is at London Works, near Birmingham, England, Ironmasters, &c. (The Patent Nut and Bolt Company, Limited.) 26th August, 1909.
No. 88/1824.—The Dominion Canning Company, Limited. (Masefield Bros.) 31st August, 1909.
No. 1409/1082.—The Dominion Canning Company, Limited. (G. Kronfeld—D. H. Ross.) 31st August, 1909.
No. 7394/5913.—Pilkington Bros., Limited, of Glass Works, St. Helens, in the County of Lancaster, England, Glass-manufacturers. (Witting Bros., Limited.) 25th August, 1909.

Trade Mark Renewal Fees paid.

FEES paid for the renewal of the undermentioned Trade Marks for fourteen years from the date first mentioned:—

- No. 1506/1224 and 1507/1205.—10th September, 1909.—United Alkali Company, Limited, St. Helens, England. Class 1. 27th August, 1909.
No. 1526/1244, 1527/1245, and 1528/1246.—15th October, 1909.—T. and J. M. Carlyle, Aston, England. Classes 18, 14, and 50. 1st September, 1909.
No. 1531/1228.—17th October, 1909.—The Moa Farmers Co-operative Dairy Company, Limited, Inglewood, N.Z. Class 42. 25th August, 1909.

Trade Marks removed from the Register.

TRADE Marks removed from the Register owing to the non-payment of the renewal fee, from the 21st August to the 3rd September, 1909, inclusive:—

- Nos. 1434/1157 and 1435/1150.—29th May, 1895.—Ferdinand Schubeler, of Sydney, New South Wales, Druggist. Class 3.

Cancellation of Part Entry of Trade Mark on the Register.

NO. 78/4508.—Phipps, Turnbull, and Co. (advertised in *New Zealand Gazette*, No. 101, of the 17th October, 1878).

The entry on the register has been cancelled, in so far as it relates to beers and stouts, by the insertion, after the statement of goods, of the words "other than beers and stouts."

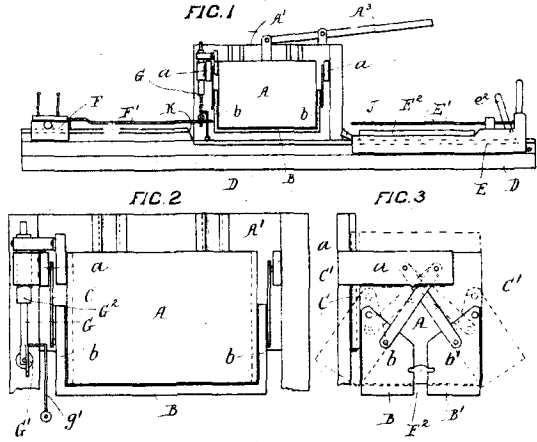
Applications for Trade Marks abandoned or refused.

LIST of applications for registration of Trade Marks abandoned or refused from the 12th August to the 8th September, 1909, inclusive:—

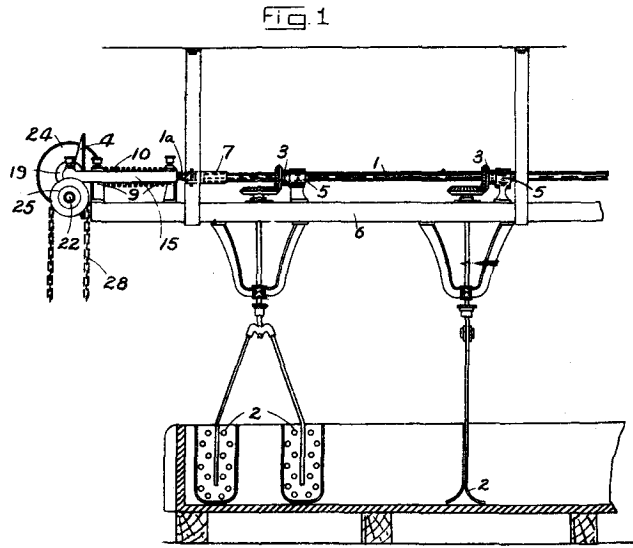
- No. 7353.—28th May, 1908.—A. M. Loasby, Christchurch, N.Z. Class 3.
No. 7431.—31st July, 1908.—N. King, New Plymouth, N.Z. Class 46.
Nos. 7490 and 7496.—10th August, 1908.—Australian Kodak, Limited, Abbotsford, Vic. Classes 8 and 39.
No. 7504.—12th August, 1908.—Linotype and Machinery, Limited, London, Eng. Class 6.
No. 7528.—25th August, 1908.—G. R. Hamon, Masterton, N.Z. Class 3.
No. 7685.—19th November, 1908.—Hargreaves Bros. and Co., Limited, Hull, Eng. Class 50.
No. 7893.—18th March, 1909.—Anglo-Continental (late Ohlendorff's) Guano Works, London, Eng. Class 2.

ILLUSTRATIONS OF INVENTIONS.

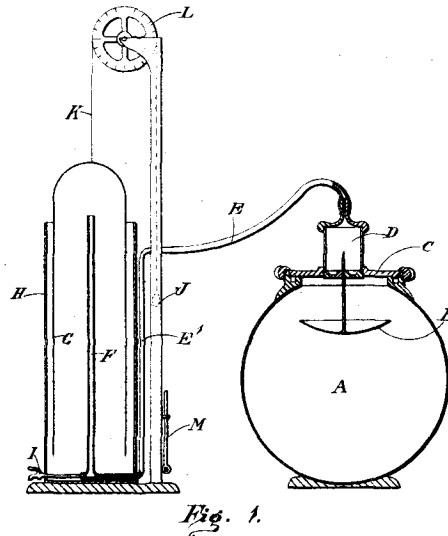
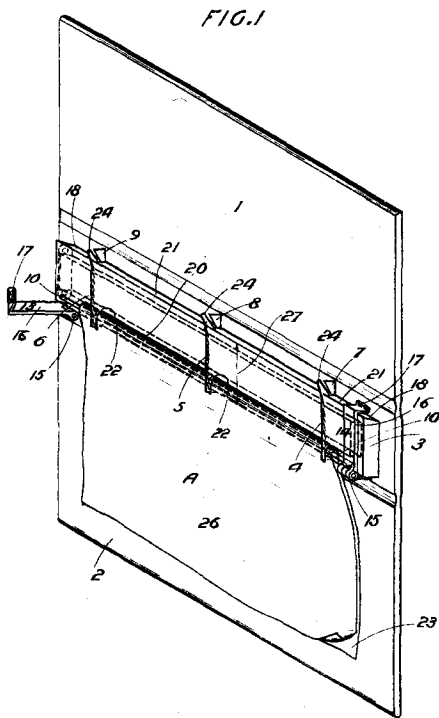
[These illustrations refer to the complete specifications accepted, and advertised in this *Gazette*.]



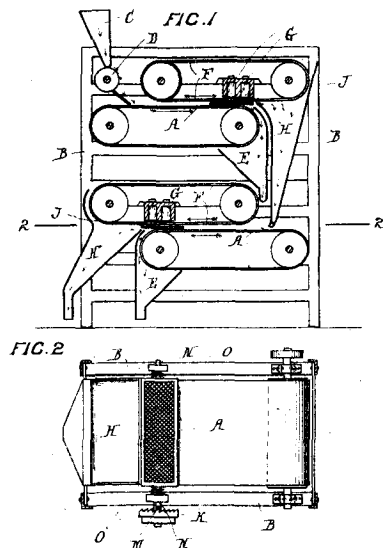
Brush-Machine. Robertson. 24448.



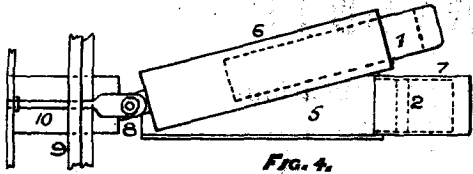
Milk, &c., Agitator. MacEwan. (Robertson.) 24818.



Moisture-indicator. Richardson and Gillespie. 24841.



Magnetic Separator. Rapley. 24883.



Railway-point Lock. Thwaites. 25011.

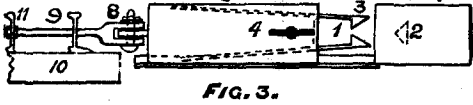
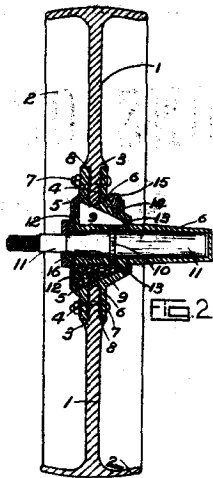
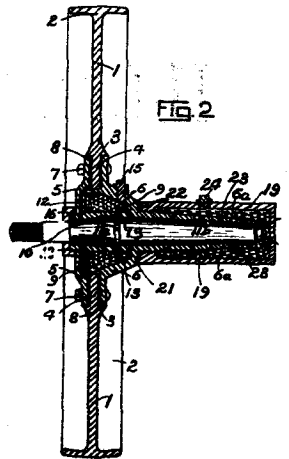


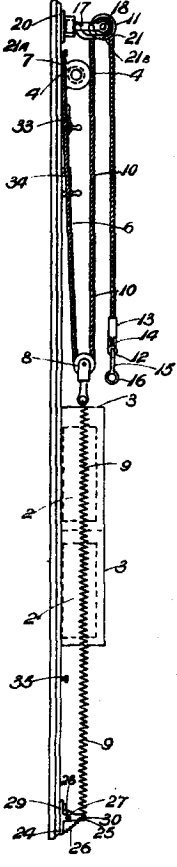
FIG. 3.



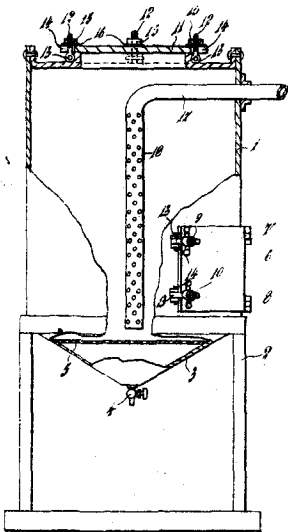
Wheel-lubricator. Gray. 25066.



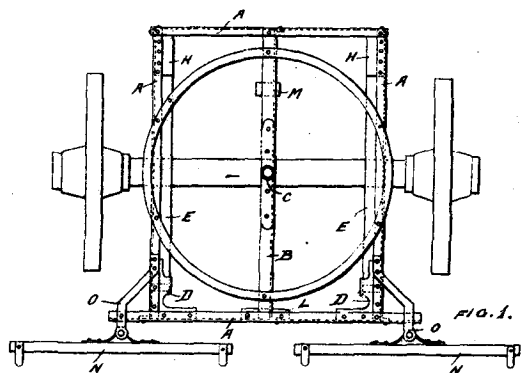
Wheel-lubricator. Gray. 25126.



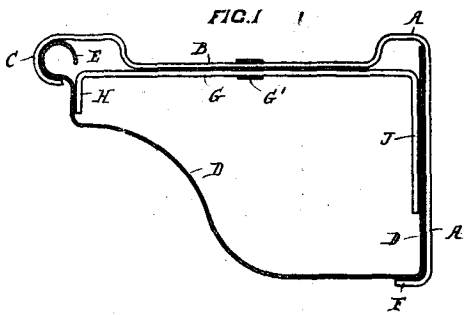
Electric Developer. Bailey. 25018.



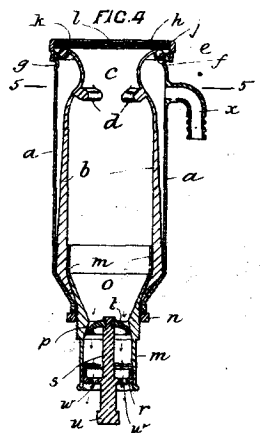
Cooker. Hursthouse. 25108.



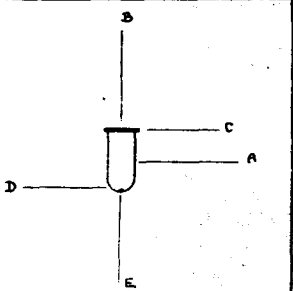
Under-carriage. Brennan. 25019.



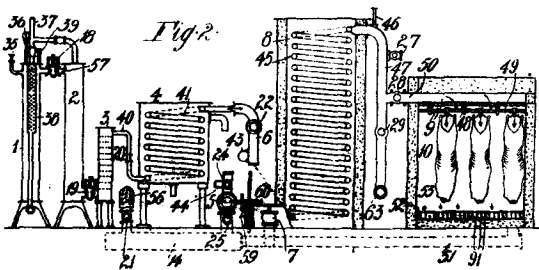
Spouting-bracket. Smart. 25167.



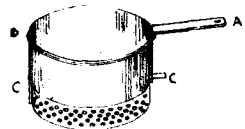
Teat-cup. Hodge and Andersen. 25184.



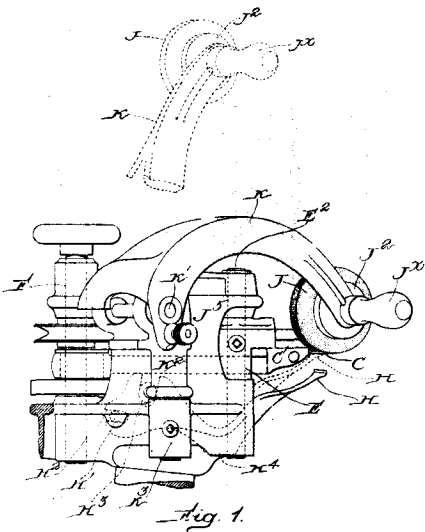
Cigarette-holder. Levinson. 25292.



Preservation of Alimentary Substances. Macmeikan. 25171.



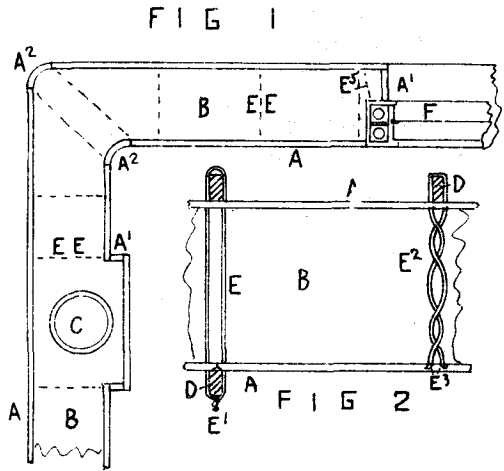
Colander. Oliver. 25093.



Boot-inseam Machine. United Shoe Machinery Company. (Bates.) 25208.



Wheel. Ferrins. 26825.



Concrete-form. Eggleton. 26283.

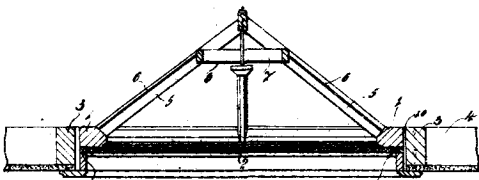
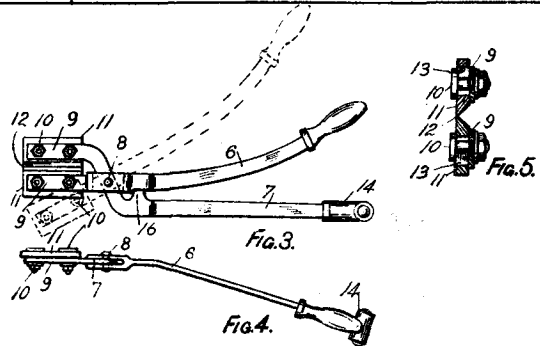
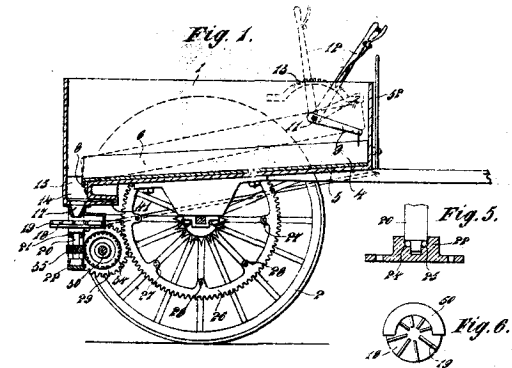


FIG. 1.

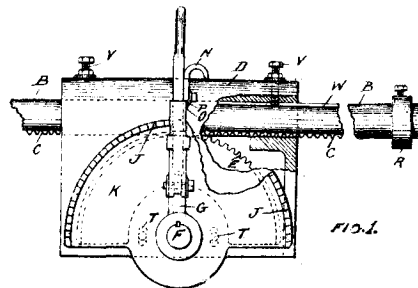
Ventilator and Ceiling-light. Harrison. 26320.



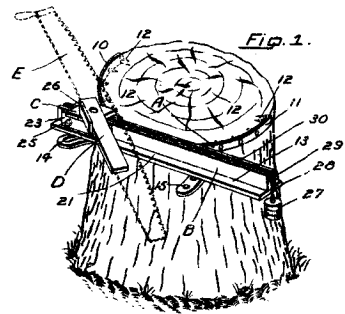
Docker and Cauterizer. Bettington. 26350.



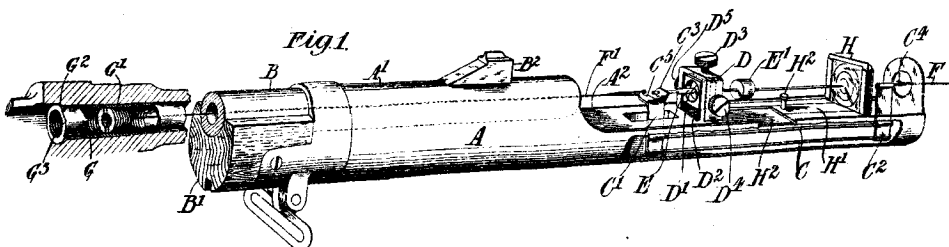
Manure-sower. Smith. 26282.



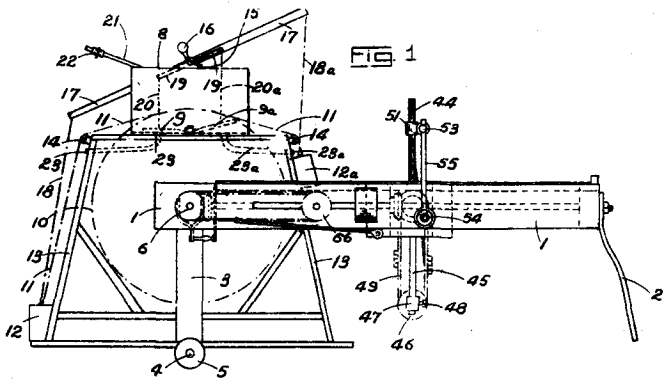
Saw-fence. Briggs and Bollard. 25045.



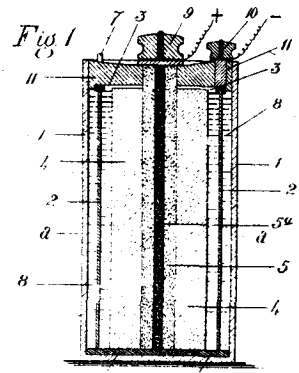
Tree-saw. Baker. 26310.



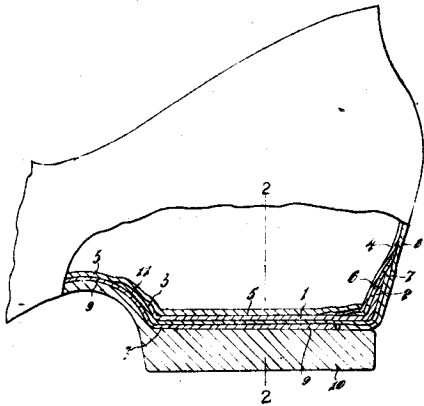
Rifle-practice Device. Sub-Target Company (Limited). (Mitchell.) 26312.



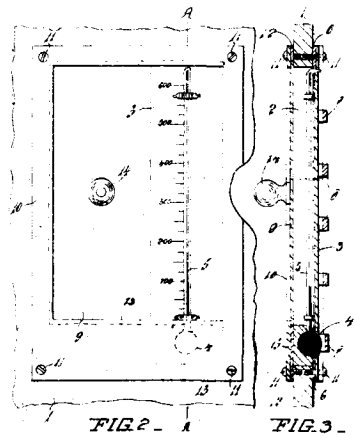
Sluice-nozzle Operator. Campbell. 26133.



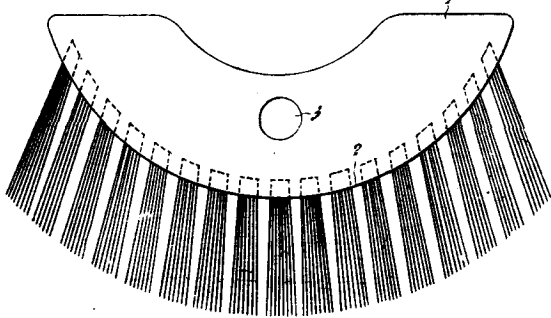
Electric Battery. Schauli. 26251.



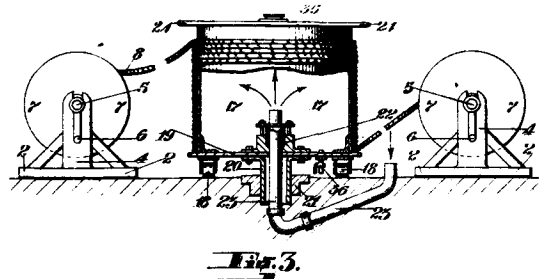
Rubber Footwear. Smith. 26253.



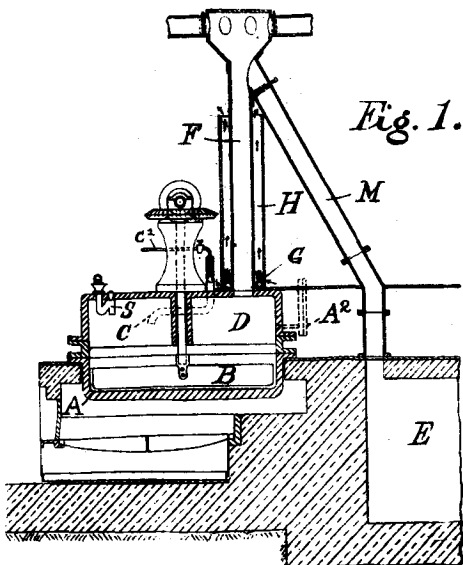
Oven-door. Legg. 26188.



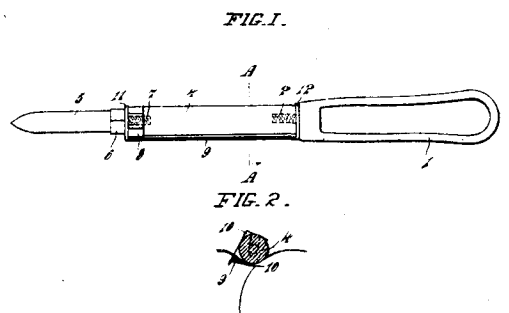
Broom. Smart. 26275.



Cable-drier. Perks, Dane, and Co. Proprietary (Limited). (Dane.) 26237.



Lead-oxides, &c. Barton. 26229.



Pæler. Pedersen. 26281.